

MEAN GREEN

M O W E R S

EVO PARTS MANUAL

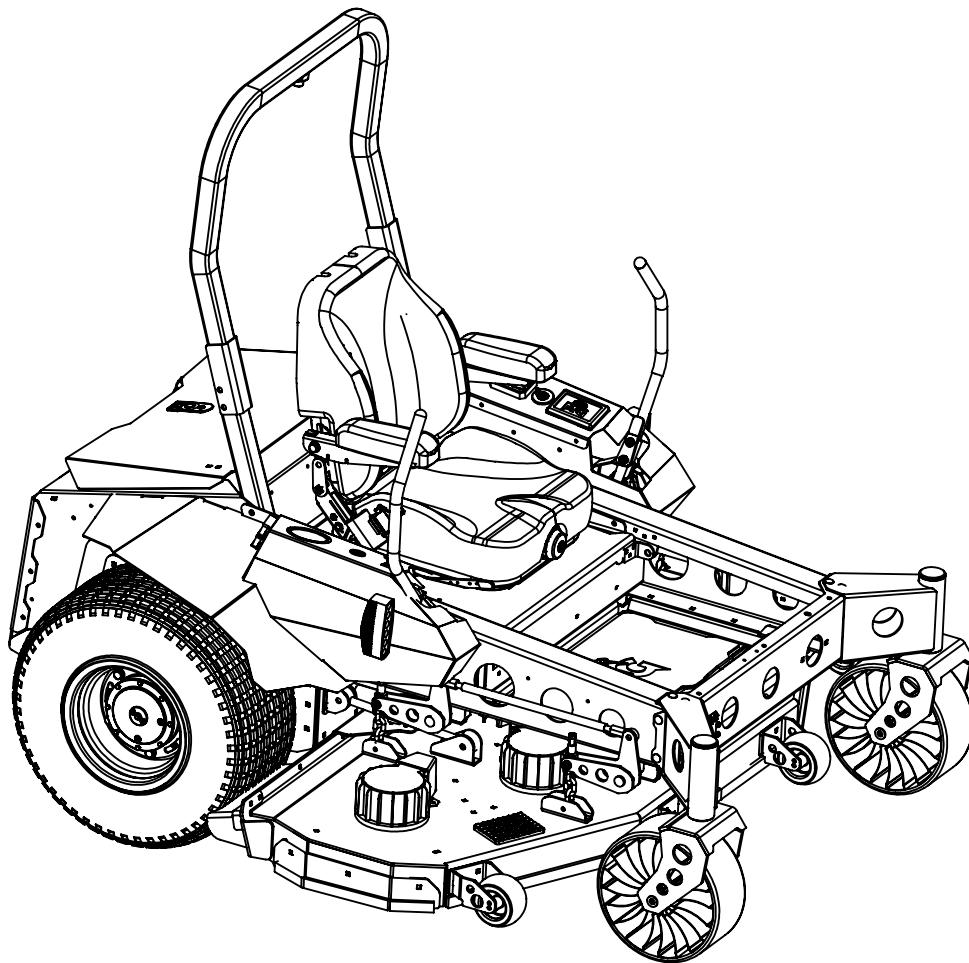
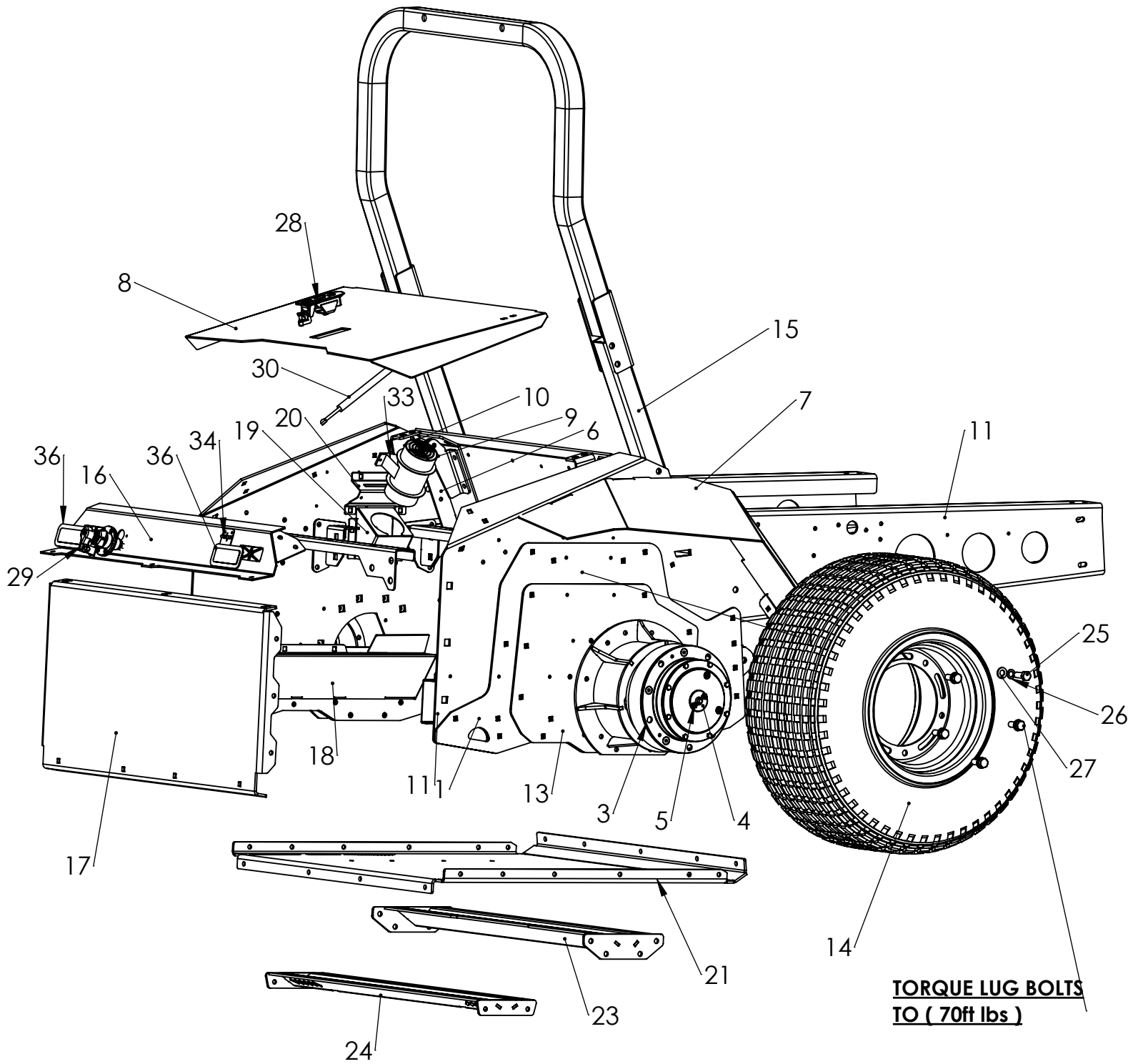
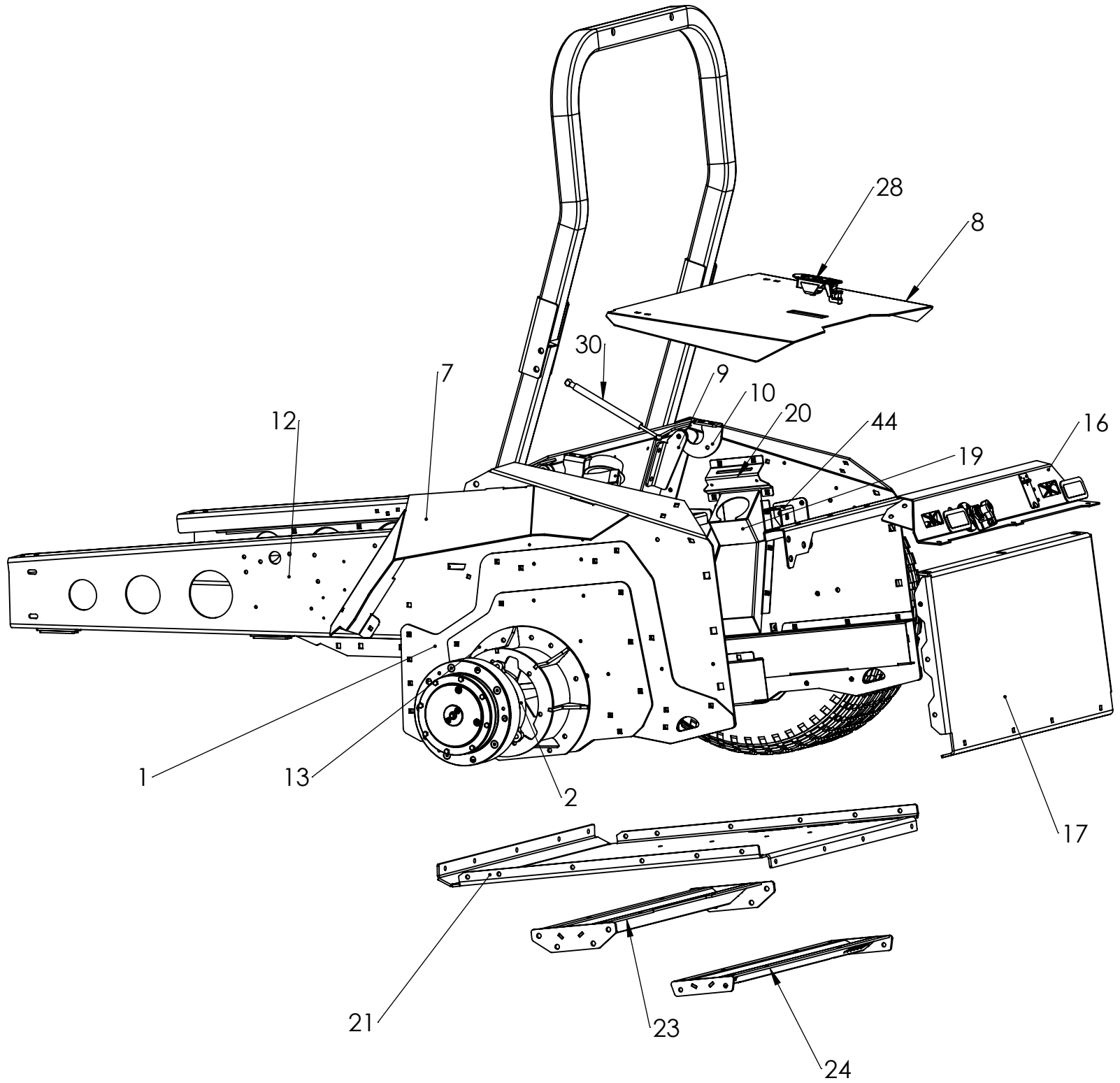


Table of Contents

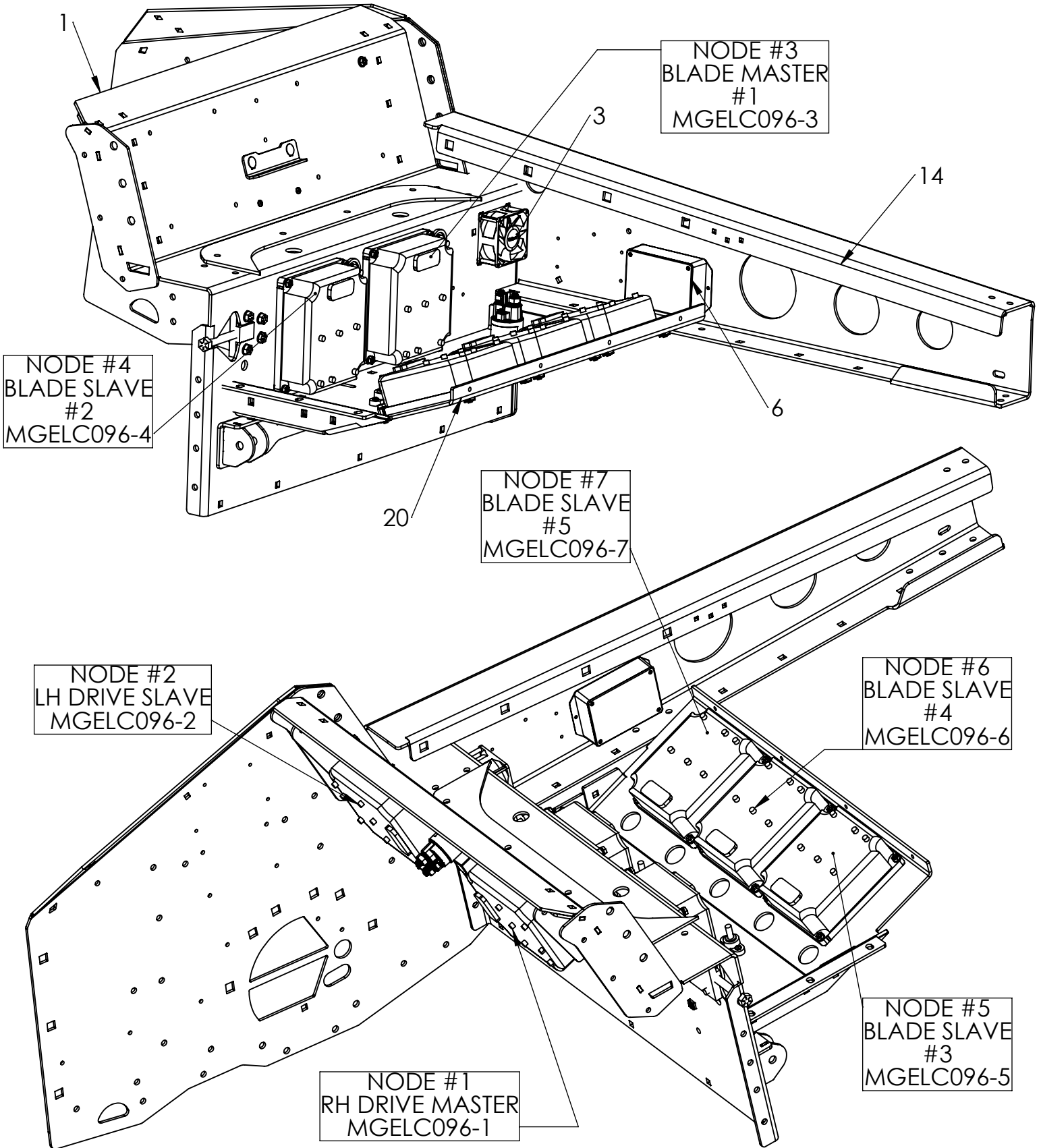
- **MAIN FRAME..... 3-9**
- **FRONT BEAM..... 10-12**
- **FOOT PAD..... 13-14**
- **SEAT PAN..... 15-16**
- **CONTROL PANELS..... 17-18**
- **CONTROLS.....19-22**
- **CHARGE PORT..... 23**
- **74RD DECK..... 24-30**
- **ATTACHMENTS..... 31-34**
- **LEM 48704 BATTERY.....35-36**

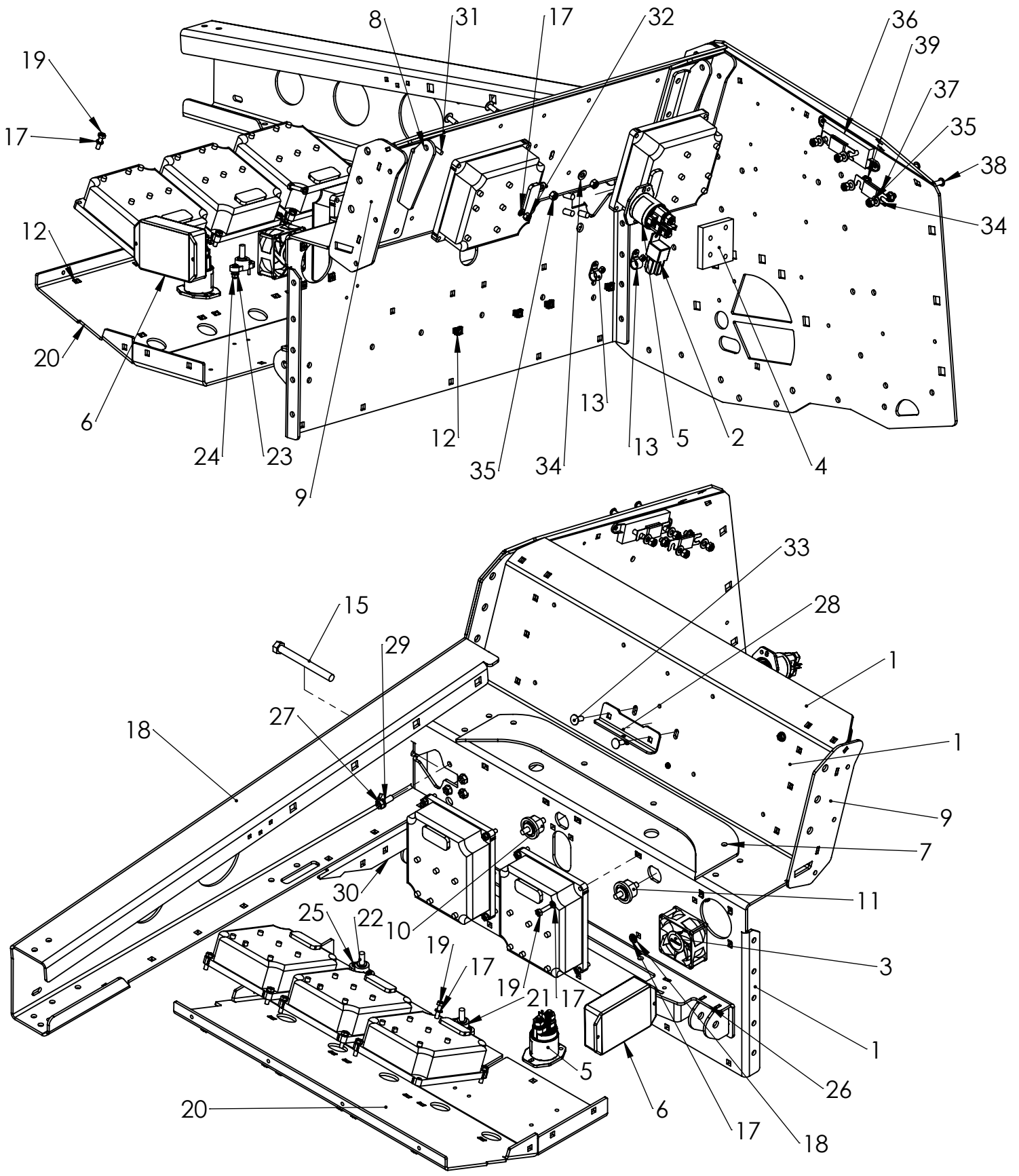




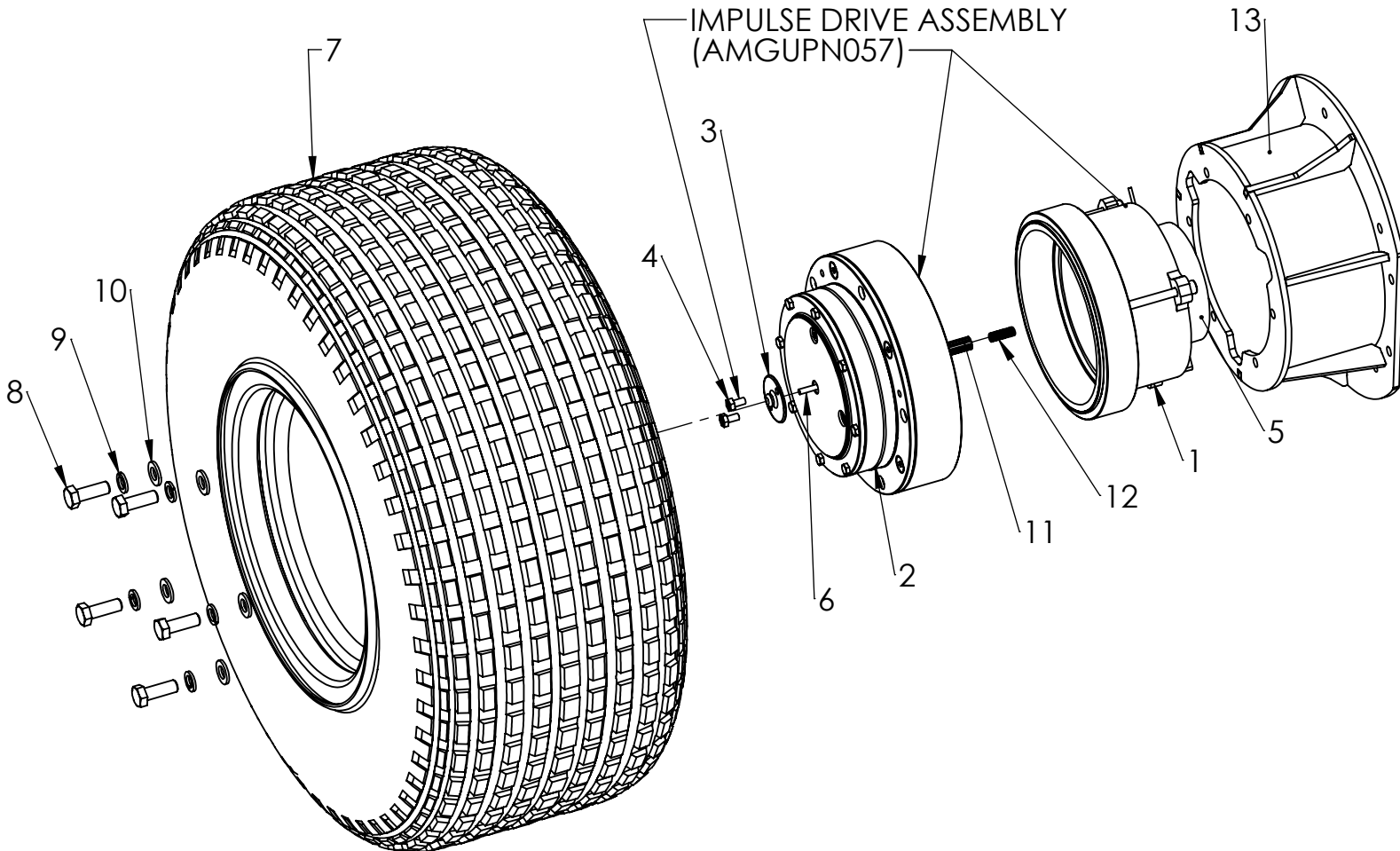
REAR FRAME ASSEMBLY

ITEM NO.	PART NUMBER	QTY.	DESCRIPTION
1	MGEVO069	2	FRAME DOUBLER PLATE
2	MGELC095	2	IMPULSE DRIVE MOTOR
3	MGUPN363	2	IMPULSE DRIVE GEAR BOX
4	MGUPN402	2	DRIVE BRAKE PLATE
5	MGHDW100	4	1/4-20x1/2 FT HHCS
6	AMGEVO19	2	REAR BULK HEAD WELD PLATE
7	MGEVO017	2	FENDER
8	MGEVO012	1	BATTERY HOOD
9	MGEVO031	2	BATTERY HOOD HINGE-BOTTOM
10	MGEVO030	2	BATTERY HOOD HINGE-TOP
11	MGEVO004	1	FRAME RAIL-RIGHT SIDE
12	MGEVO003	1	FRAME RAIL-LEFT HAND SIDE
13	MGEVO043	2	STIFFENER PLATE-DRIVE MOUNT
14	MGUPN339	1	26" TIRE
15	AMGUPN20	1	EVO ROPS ASSEMBLY
16	AMGEVO23	1	E-STOP/CHARGE PORT PLATE
17	MGEVO011	1	BACK PLATE
18	AMGEVO16	1	EXHAUST VENT BOTTOM
19	AMGEVO14	2	AIR INTAKE FUNNEL
20	MGEVO108	2	FAN MOUNT
21	MGEVO092	1	EVO BATT FLOOR
22	AMGEVO15	1	FAN MID
23	AMGEVO010	1	BATTERY FLOOR SUPPORT (FRONT)
24	AMGEVO09	1	BATTERY FLOOR SUPPORT
25	MGHDW176	5	M12X1.5X35 HHCS
26	MGHDW232	5	M12 LOCK WASHER
27	MGHDW231	5	M12 FLAT WASHER
28	MGUPN033	1	BATTERY HOOD LATCH
29	MGELC115	1	ON/OFF SWITCH
30	MGUPN285	1	200N GAS SHOCK
36	MGUPN384	3	4.375x2 FROG SKIN
33	MGELC048	1	WHITE FAN
34	MGUPN034	1	CHARGE PORT COVER
44	AMGEVO21/22	1	BATTERY CROSS MEMBER SUPPORT BRACKET

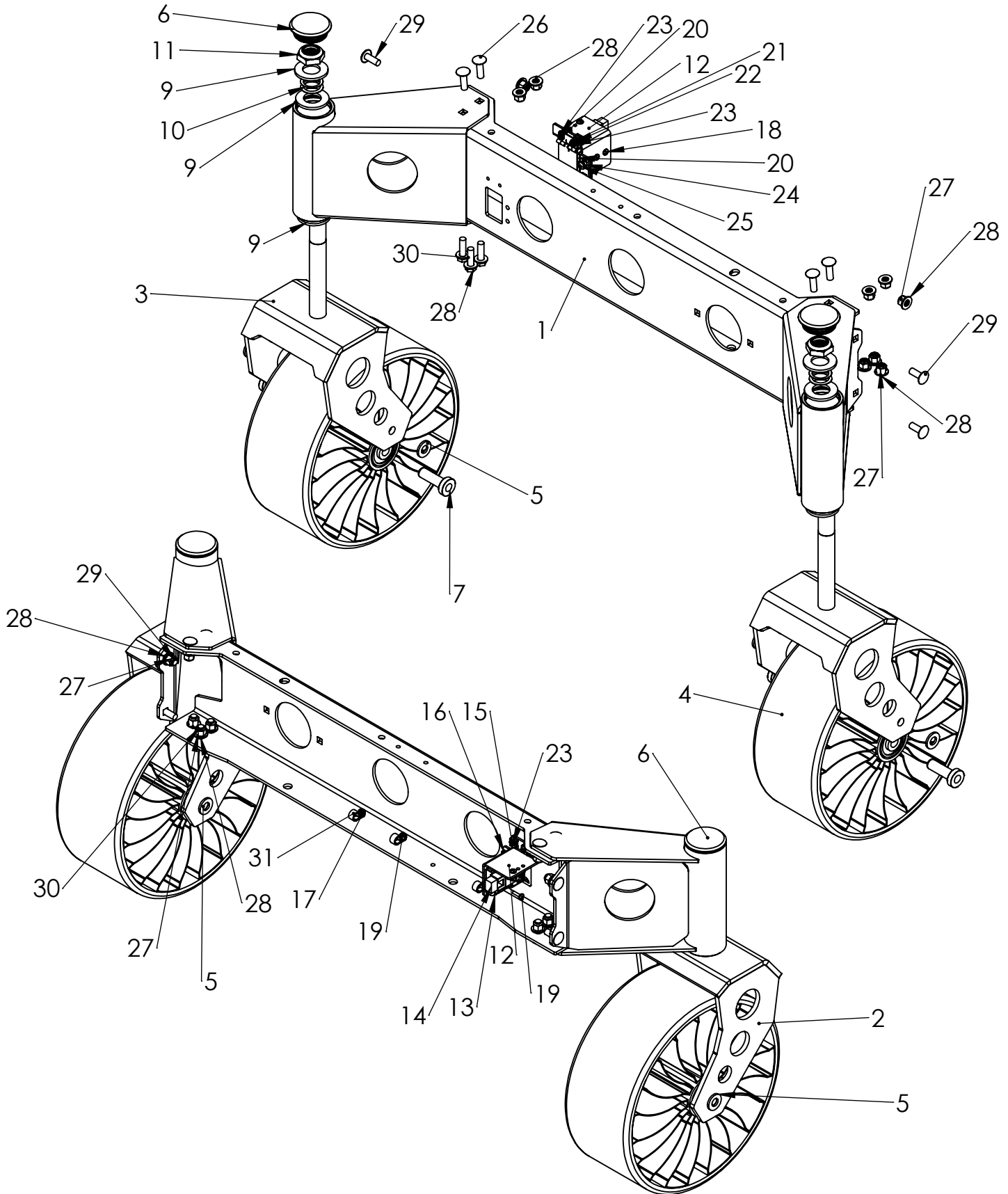




ITEM NO.	PART NUMBER	QTY.	DESCRIPTION
1	MGEVO005	1	BULK HEAD-REAR
2	MGELC104	1	48V 40A RELAY
3	MGELC065	1	BLACK FAN
4	MGUPN366	1	EVO ACTUATOR BRACKET
5	MGELC105	2	48V CONTACTOR
6	MGELC0118-1	1	DECK ADJ. CONTROL BOX
7	MGEVO055	1	TRIM LOCK PLATE
8	MGEVO031	2	BATTERY HOOD HINGE-BOTTOM
9	AMGEVO19	2	REAR BULK HEAD WELD PLATE
10	MGELC036	1	POSITIVE BATTERY STUD
11	MGELC037	1	NEGATIVE BATTERY STUD
12	MGHDW315	20	1/4-20x0.093-0.126 CAGE NUT
13	MGUPN157	2	5/8" I.D. PLASTIC WIRE CLIP
14	MGEVO003	1	FRAME RAIL-LEFT HAND SIDE
15	MGHDW154	1	1/2-13x5.00 PT HHCS, GR8 YZP
18	MGEVO004	1	FRAME RAIL-RIGHT SIDE
17	MGHDW213	21	1/4 LOCK WASHER
18	MGHDW200	2	1/4 FLAT WASHER
19	MGHDW102	20	1/4-20x1.00 FT HHCS
20	MGEVO001	1	FLOOR-REAR ELECTRICAL COMPARTMENT
21	MGELC012	1	GROUNDING PLUG RED
22	MGELC011	1	GROUNDING PLUG BLACK
23	MGHDW207	1	#10 FLAT WASHER
24	MGHDW308	3	#10-32 NYLOCK
25	MGHDW510	4	#10-32x7/8 PAN HEAD PHILIPS
26	MGEVO036	1	CROSS STABILIZER MOUNT-BASE
27	MGHDW120	4	3/8-16x1.00 FT HHCS
28	MGEVO026	1	SEAT LOCKING PLATE CATCH
29	MGHDW204	4	3/8 LOCK WASHER
30	MGEVO095	1	FLOOR TIE IN PLATE
31	MGHDW103	1	1/4-20x1-1/4 PT HHCS
32	MGHDW303	1	1/4-20 NYLOCK
33	MGHDW706	2	5/16-18x3/4 CB
34	MGHDW201	6	5/16 FLAT WASHER
35	MGHDW304	6	5/16-18 NYLOCK
36	MGELC003	1	MAIN FUSE BLOCK 400 AMP
37	MGELC055	2	MAIN FUSE
38	MGHDW617	2	5/16-18 X 1 BH
39	MGHDW300	2	5/16-18 FLANGE NUT



ITEM NO.	PART NUMBER	QTY.	DESCRIPTION
1	MGELC095	1	IMPULSE DRIVE MOTOR
2	MGUPN363	1	IMPULSE DRIVE GEARBOX
3	MGUPN402	1	BRAKE DISENGAGE PLATE
4	MGHDW100	1	1/4-20x1/2 FT HHCS
5	MGUPN426	1	IMPULSE DRIVE BRAKE
6	MGUPN427	1	GEARBOX DISENGAGE PIN
7	MGUPN339	1	26" WHEEL AND TIRE
8	MGHDW176	5	M12X1.5X35mm HHCS
9	MGHDW232	5	M12 SPLIT WASHER
10	MGHDW231	5	M12 FLAT WASHER
11	MGUPN426-2	1	INPUT SHAFT
12	MGUPN426-1	1	EVO DRIVE BRAKE SPRING
13	AMGRVL07/AMGRVL08	1	EVO DRIVE MOUNT W

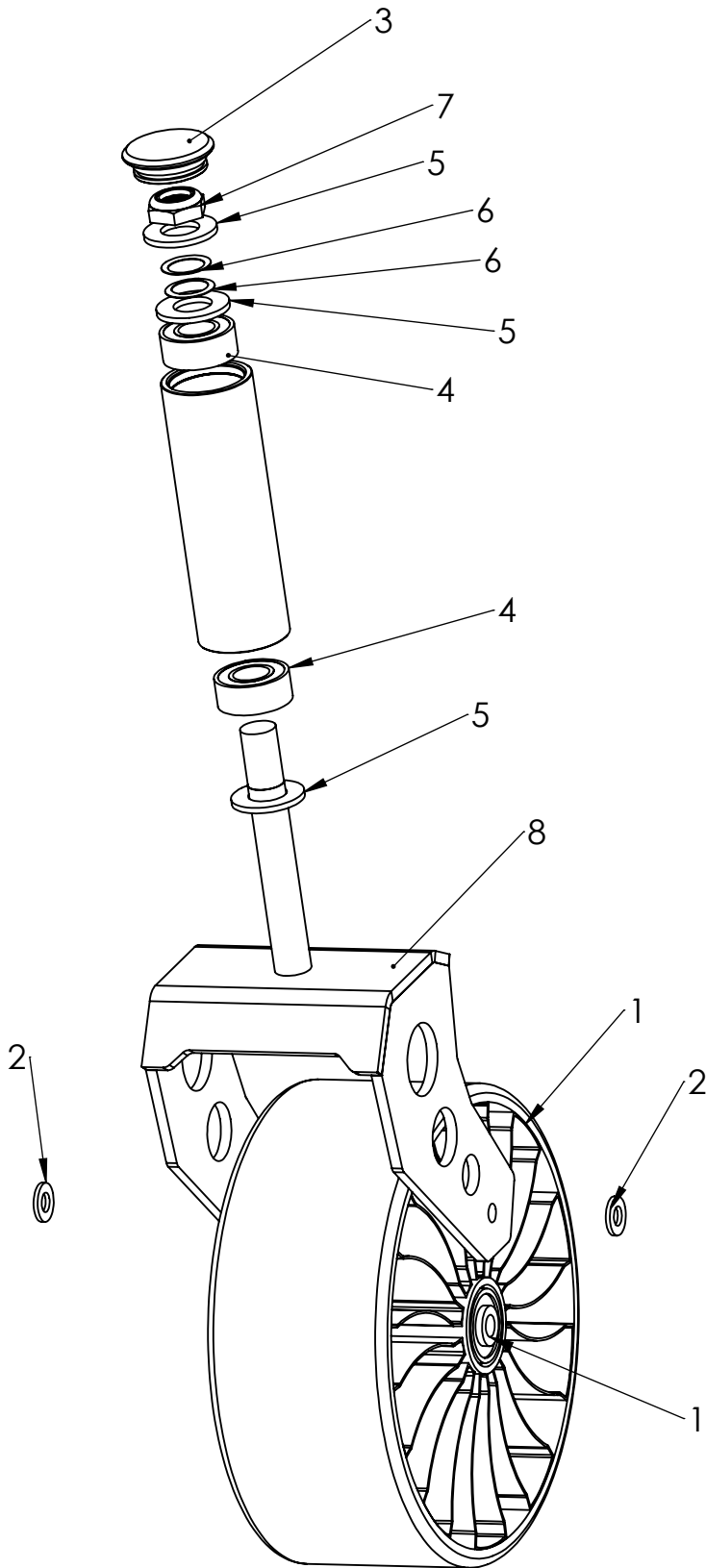




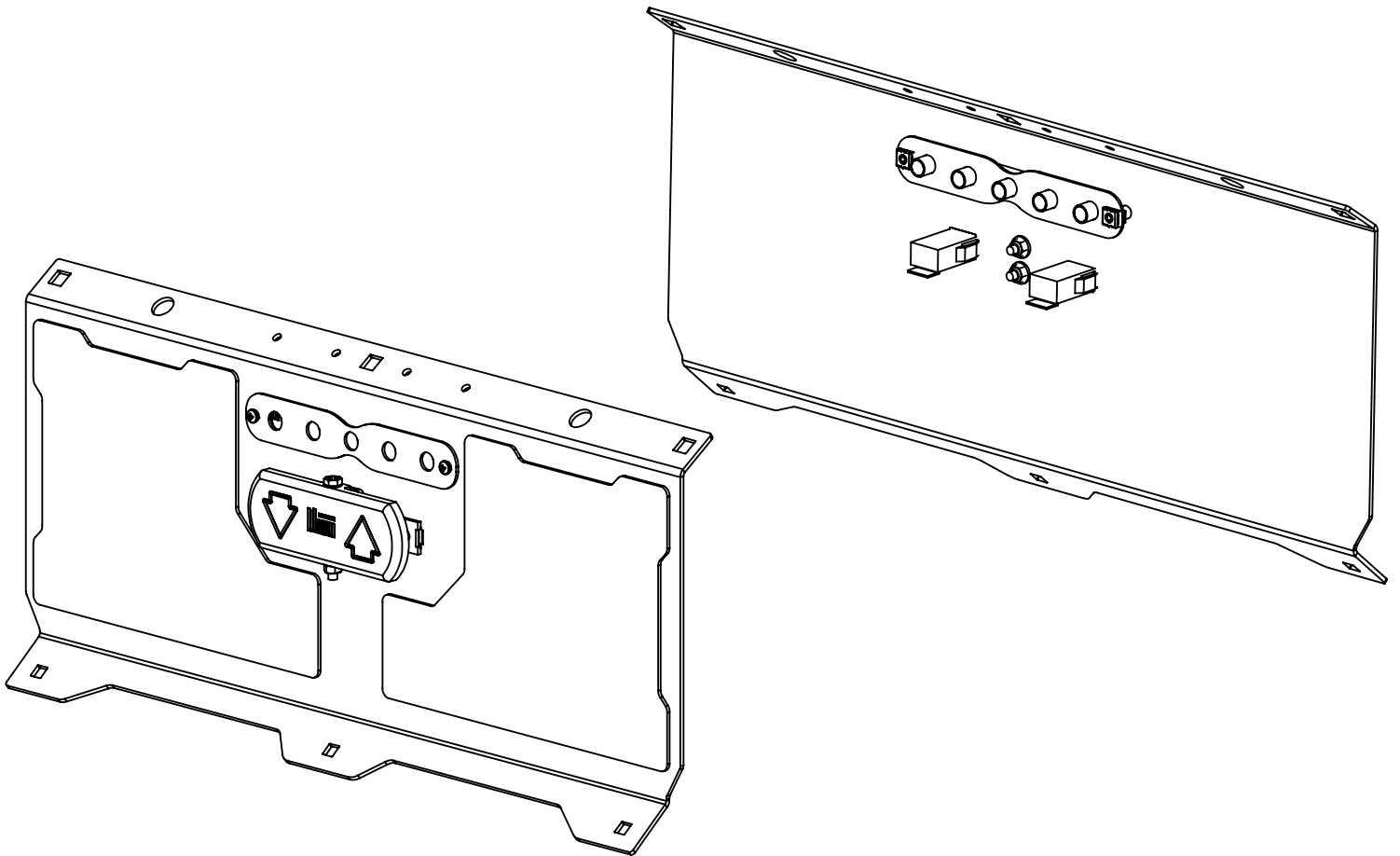
FRONT BEAM BILL OF MATERIAL

ITEM NO.	PART NUMBER	QTY.	DESCRIPTION
1	AMGEVO17	1	FRONT BEAM-MAIN WELDMENT
2	AMGEVO18	4	RVL FIXED YOKE ASSEMBLY
3	AMGEVO17	2	YOKE WELDMENT
4	MGUPN153	2	13x5-3/4 FRONT TWEEL
5	MGHDW210	4	1/2 FLAT WASHER
6	MGUPN090	2	PLASTIC SPINDLE CAP
7	MGUPN128	4	5/16" YOKE SPACER
8	MGUPN386	4	1" SPINDLE BEARING
9	MGHDW209	6	1.00 FLAT WASHER
10	MGHDW229	4	1" SPRING WASHER
11	MGHDW313	2	1.00-8 HNL
12	MGMUP024	1	CHARGING PORT BRACKET
13	MGELC032	1	ANDERSON CONNECTOR-SB120
14	MGELC106	1	SAFETY PLUG IN SWITCH
15	MGHDW309	2	#8-32x0.93-0.126 CAGE NUT
16	MGHDW315	2	1/4-20x0.093-0.126 CAGE NUT
17	MGHDW308	7	#10-32 NYLOCK
18	MGHDW503	2	#10-32x1.00 PAN HEAD PHILIPS
19	MGHDW506	5	#10-32x5/8 PAN HEAD PHILIPS
20	MGUPN034	1	CHARGE PORT COVER
21	MGHDW206	2	#8 LOCK WASHER
22	MGHDW218	2	#8 FLAT WASHER
23	MGHDW502	2	#8-32x3/4 PHP
24	MGHDW213	2	1/4 LOCK WASHER
25	MGHDW605	2	1/4-20x3/4 BSCS
26	MGHDW705	4	3/8-16x1.25 CB
27	MGHDW305	12	3/8-16 NYLOCK
28	MGHDW202	18	3/8 FLAT WASHER
29	MGHDW703	4	3/8-16x1.00 CB
30	MGHDW121	6	3/8-16x1-1/4 FT HHCS
31	MGUPN156	3	1/2" I.D. PLASTIC WIRE CLIP

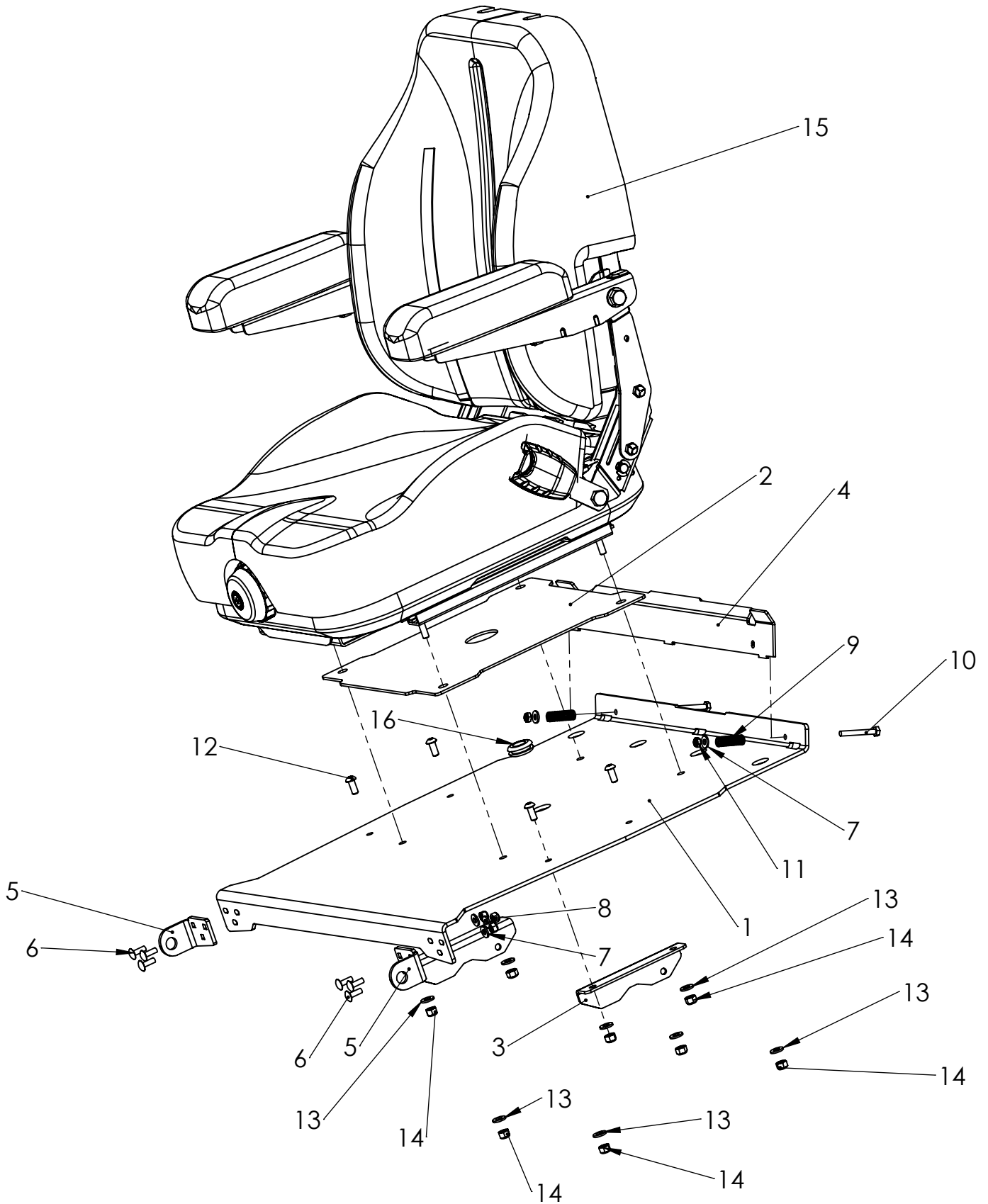
FIXED YOKE ASSEMBLY

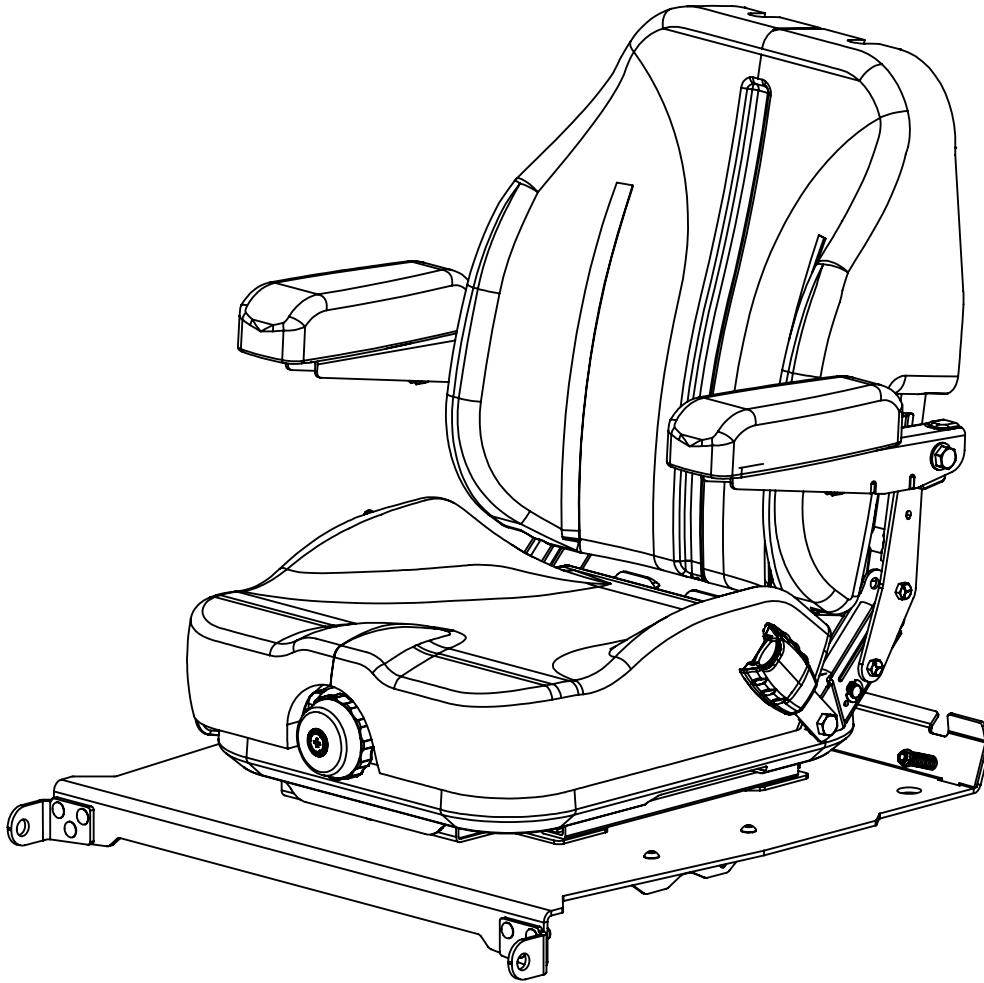


ITEM NO.	PART NUMBER	QTY.	DESCRIPTION
1	MGUPN153	1	13x5-3/4 FRONT TWEEL
2	MGHDW210	2	1/2 FLAT WASHER
3	MGUPN090	1	PLASTIC SPINDLE CAP
4	MGUPN386	2	1" BEARING
5	MGHDW209	3	1.00 FLAT WASHER
6	MHDHW229	2	1" SPRING WASHER
7	MGHDW313	1	1.00-8 HNL
8	AMGEVO18	1	YOKE WELDMENT
9	AMGEVO18	2	RVL FIXED YOKE ASSEMBLY
10	MGUPN128	2	5/16" YOKE SPACER

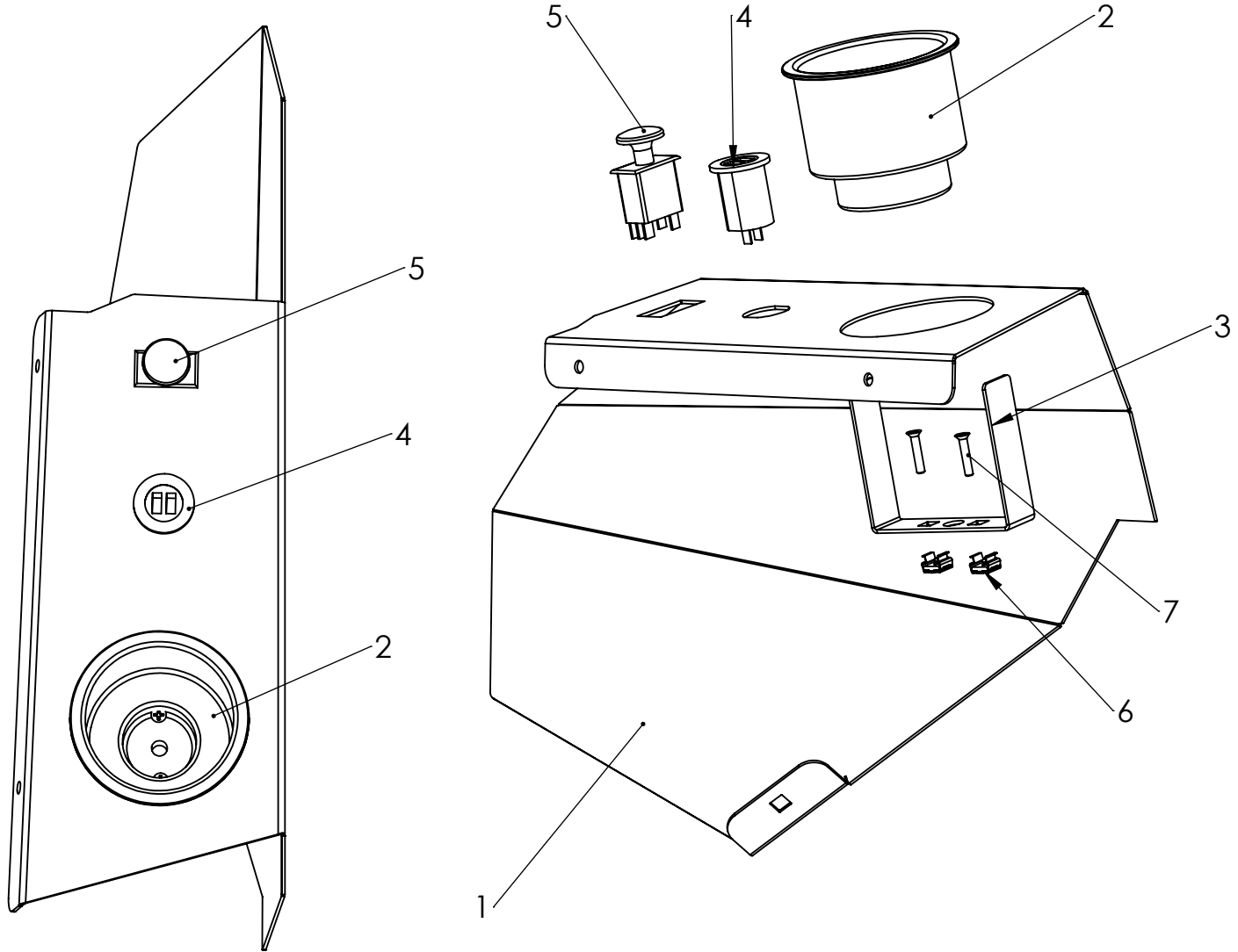


ITEM NO.	PART NUMBER	QTY.	DESCRIPTION
1	MGEVO050	1	FOOT REST
2	MGEVO067	1	FRONT DECK LIGHT INDICATOR MOUNT
3	MGEVO117	1	REAR DECK LIGHT INDICATOR MOUNT
4	MGMUP025	1	MOUNT-PEDAL
5	MGHDW700	2	1/4-20x0.75 CB
6	MGHDW200	2	1/4 FLAT WASHER
7	MGHDW303	2	1/4-20 NYLOCK
8	MGUPN089	1	PLASTIC-FOOT PEDAL DECK LIFT SYSTEM
9	MGELC030	2	BLOWER SAFETY SWITCH (BLACK/GRAY)
10	MGHDW166	1	1/4-20x2-3/4 PT HHCS
11	MGHDW205	2	1/4x1/2 O.D. NYLON WASHER
12	MGHDW312	2	#10-32x0.093-0.126 CAGE NUT
13	MGELC031	5	LED LIGHT POD
14	MGHDW401	2	#8x1/2 NYLON SPACER
15	MGHDW325	1	1/4-20 TOP LOCK
16	MGHDW503	2	#10-32x1.00 PAN HEAD PHILIPS
17	MGHDW208	2	#10 LOCK WASHER
18	MGUPN359	2	GRIP PAD

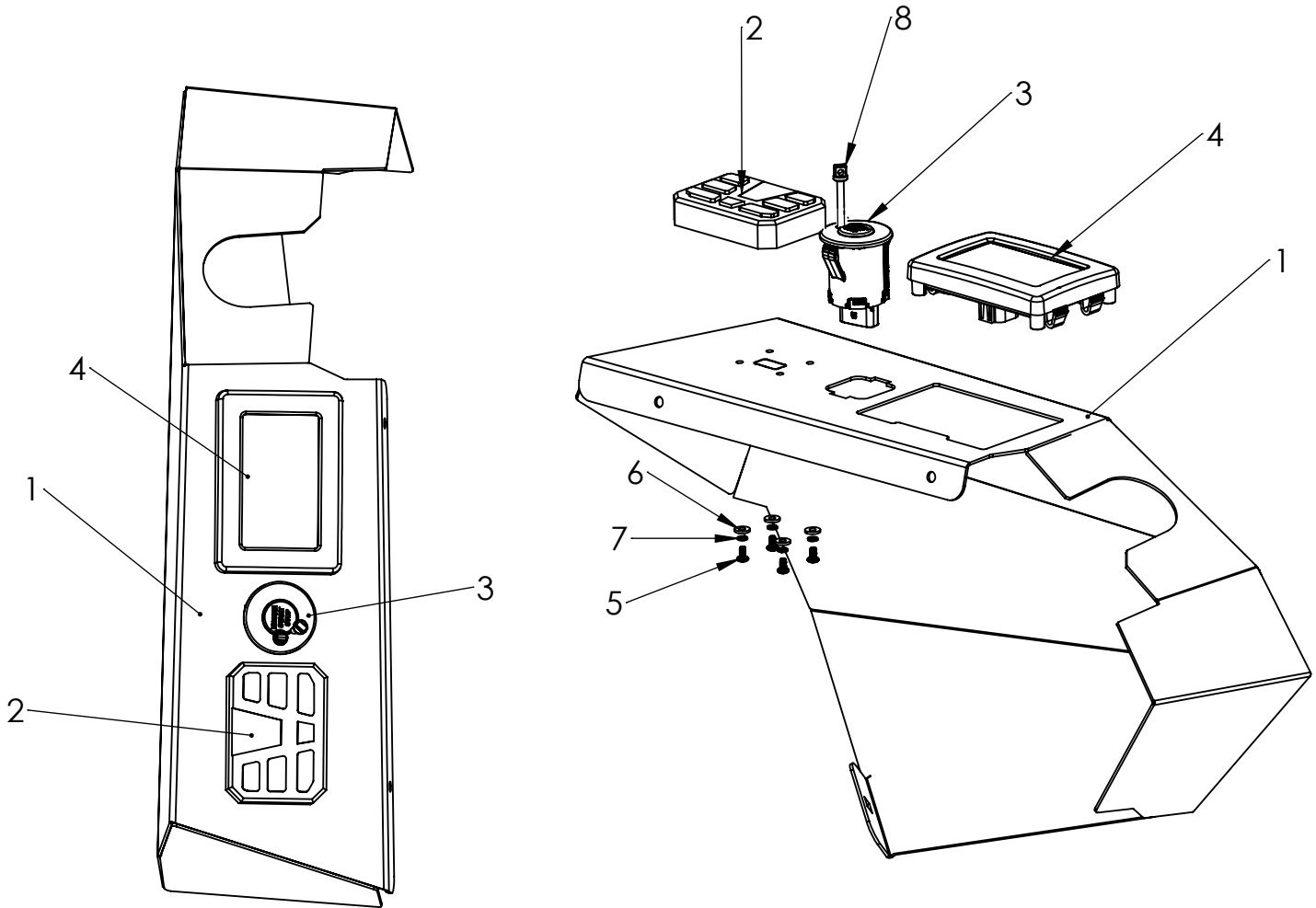




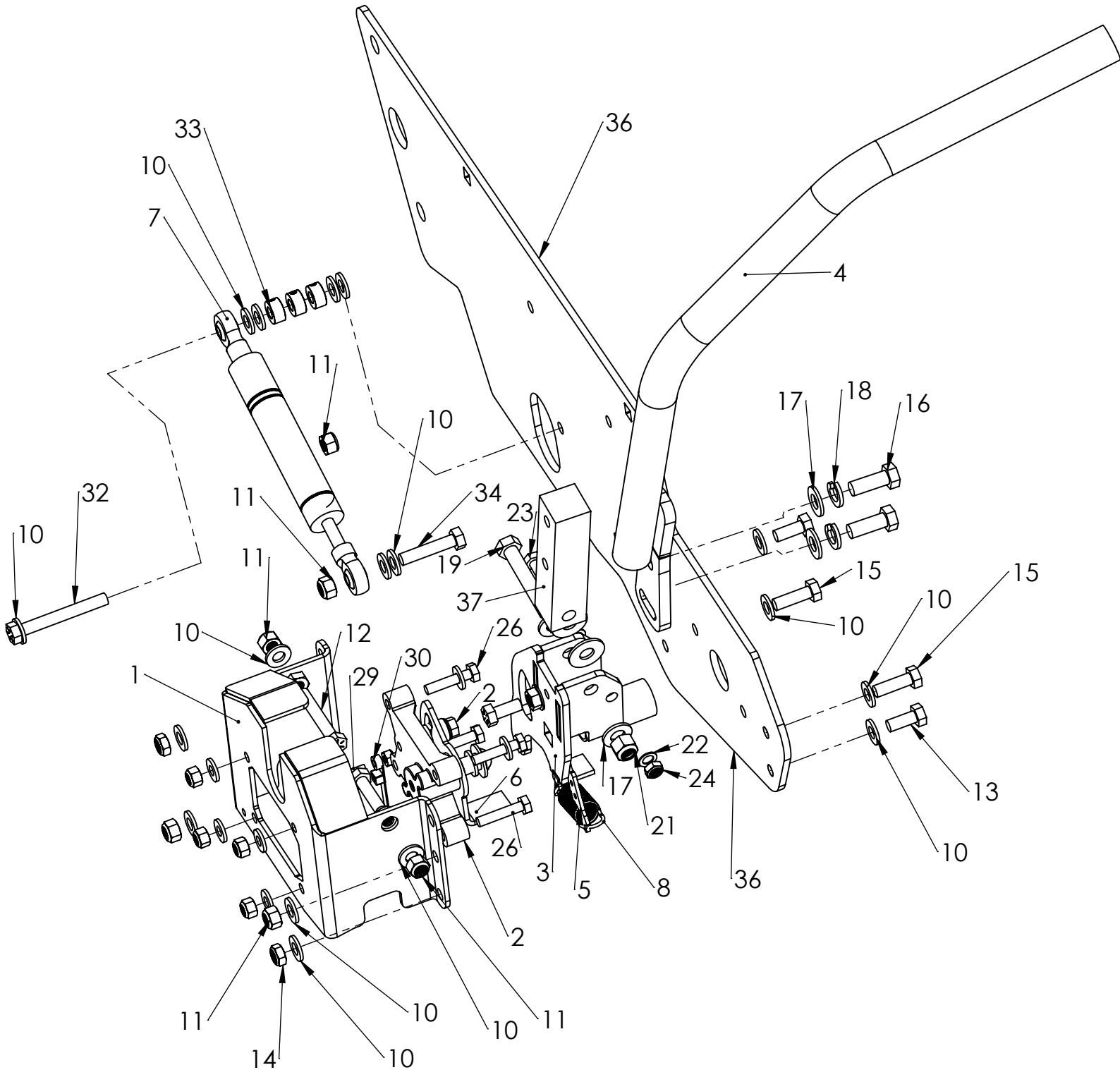
ITEM NO.	PART NUMBER		DESCRIPTION
1	MGEVO025	1	SEAT PAN
2	MGEVO106	1	SEAT PAN STIFFENER
3	MGEVO086	2	GAS SHOCK BRACKET
4	MGEVO091	1	SEAT LOCKING PLATE
5	MGEVO034	2	SEAT HINGE-UPPER
6	MGHDW700	6	1/4-20x0.75 CB
7	MGHDW200	8	1/4 FLAT WASHER
8	MGHDW303	6	1/4-20 NYLOCK
9	MGUPN126	2	SPRING FOR SEAT LATCH
10	MGHDW106	2	1/4-20x2 PT HHCS
11	MGHDW301	2	1/4-20 HALF NYLOCK
12	MGHDW616	4	5/16-18X .75 BH
13	MGHDW201	8	5/16 FLAT WASHER
14	MGHDW304	8	5/16-18 NYLOCK
15	MGUPN323	1	HIGH BACK SUSPENSION SEAT
16	MGUPN028	1	1" RUBBER GROMMET

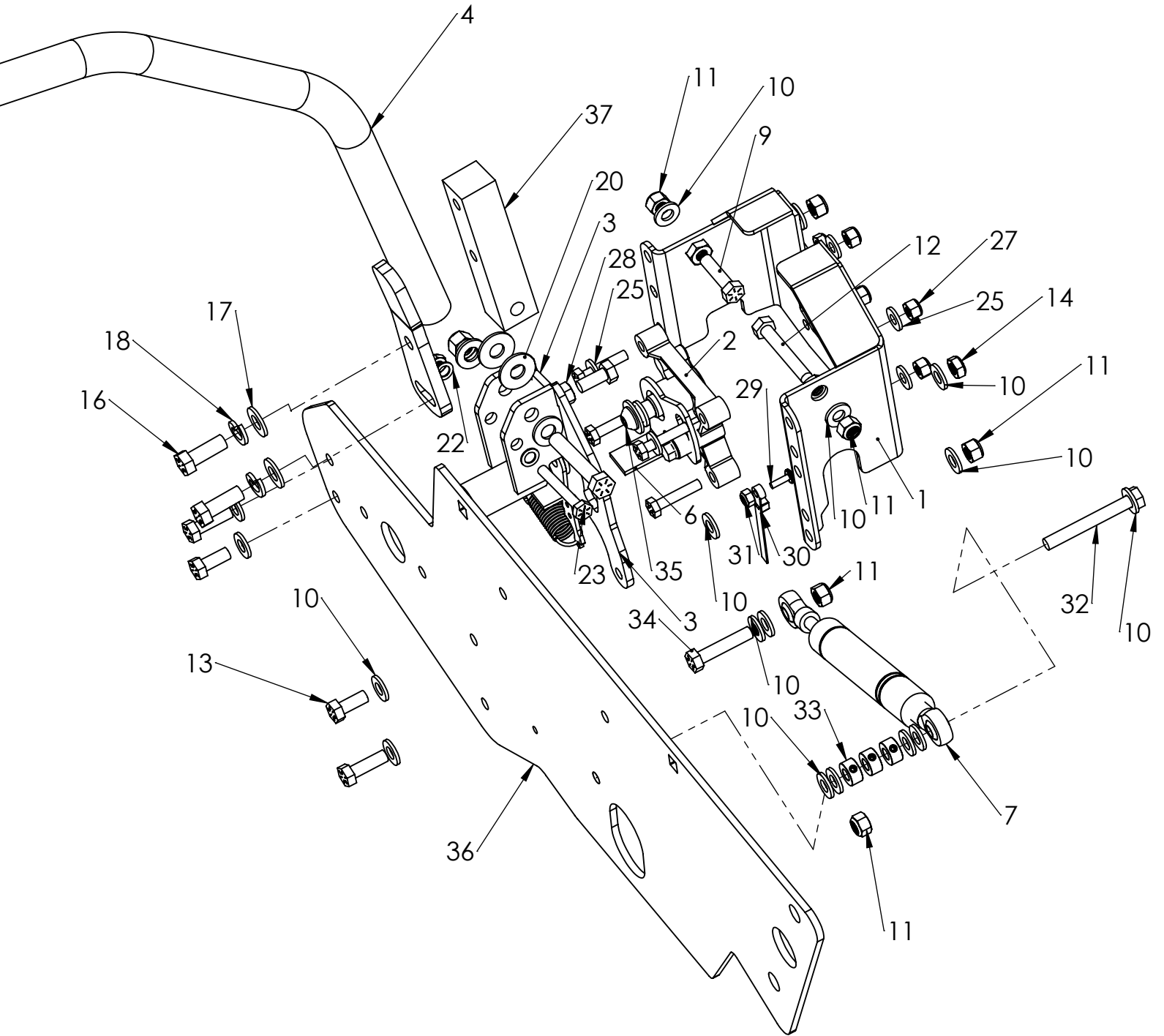


ITEM NO.	PART NUMBER	QTY.	DESCRIPTION
1	AMGEVO03	1	CONTROL PANEL-RIGHT SIDE
2	MGUPN043	1	CUP HOLDER
3	MGMUP030	1	CUP HOLDER CLAMP
4	MGELC038	1	USB PORT
5	MGELC009	1	PTO SWITCH
6	MGHDW312	2	#10-32x0.093-0.126 CAGE NUT
7	MGHDW512	2	#10-32x1.00 FLAT HEAD PHILIPS



ITEM NO.	PART NUMBER	QTY.	DESCRIPTION
1	AMGEVO02	1	LEFT CONTROL PANEL
2	MGELC131-1	1	OPTIONAL LIGHT CONTROLER
3	MGELC116	1	PUSH BUTTON ON/OFF
4	MGELC117	1	TOUCH SCREEN DISPLAY
5	MGHDW514	4	PAN HEAD PHILLIPS MACHINE SCREW
6	MGHDW218	4	#8 FLAT WASHER
7	MGHDW206	4	#8 LOCK WASHER
8	MGELC116-1	1	POWER PULL FOB

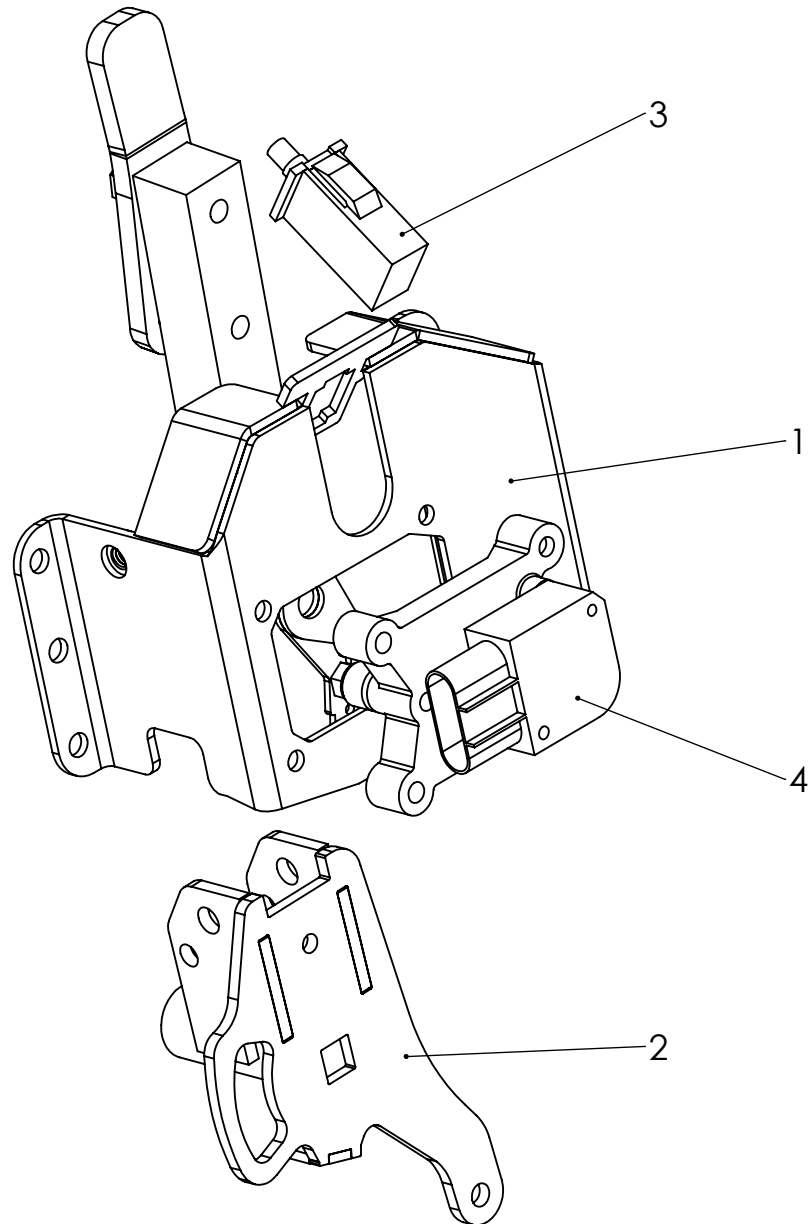




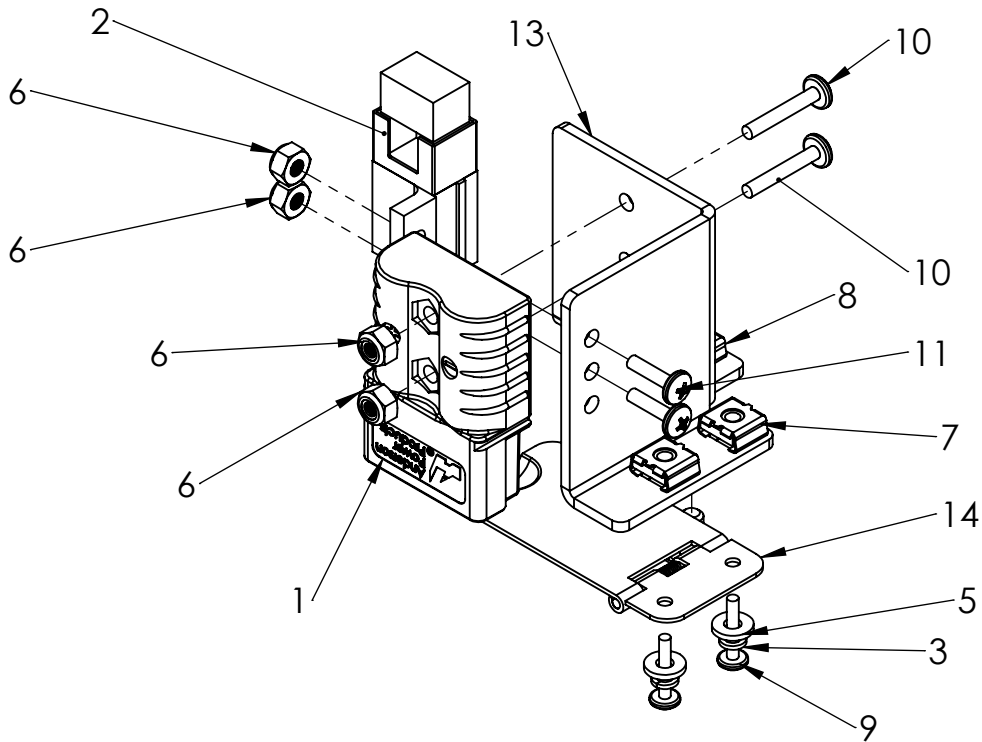
CONTROLS ASSEMBLY

ITEM NO.	PART NUMBER	QTY.	DESCRIPTION
1	AMGMUP01	1	RTN MOUNT-LEFT HAND SIDE
2	MGELC069	1	RTN-RIGHT HAND SIDE
3	AMGEVO05	1	CONTROLS RIGHT LEVER WELDMENT
4	AMGEVO06	1	CONTROLS HANDLE BAR WELDMENT
5	MGUPN046	2	HYDRO GEAR SPRING ARM
6	MGMUP017	1	RTN Neutral Stop
7	MGUPN048	1	DAMPENER FOR CONTROLS
8	MGUPN047	1	HYDRO GEAR SPRING
9	MGHDW111	1	5/16-18x1-1/4 FT HHCS
10	MGHDW201	19	5/16 FLAT WASHER
11	MGHDW304	6	5/16-18 NYLOCK
12	MGHDW163	1	5/16-18x2.00 FT HHCS
13	MGHDW109	3	5/16-18x3/4 FT HHCS
14	MGHDW302	2	5/16-18 HALF NYLOCK
15	MGHDW110	2	5/16-18x1.00 FT HHCS
16	MGHDW120	2	3/8-16x1.00 FT HHCS
17	MGHDW202	4	3/8 FLAT WASHER
18	MGHDW204	2	3/8 LOCK WASHER
19	MGHDW126	1	3/8-16x2-1/4 PT HHCS
20	MGHDW203	2	3/8x1.00 O.D. NYLON FLAT WASHER
21	MGHDW305	1	3/8-16 NYLOCK
22	MGHDW205	2	1/4x1/2 O.D. NYLON WASHER
23	MGHDW106	1	1/4-20x2 PT HHCS
24	MGHDW301	1	1/4-20 HALF NYLOCK
25	MGHDW200	6	1/4 FLAT WASHER
26	MGHDW103	4	1/4-20x1-1/4 PT HHCS
27	MGHDW303	4	1/4-20 NYLOCK
28	MGHDW300	1	5/16-18 FLANGE NUT
29	MGHDW500	1	#10-32-1/2 PAN HEAD PHILIPS
30	MGUPN049	1	ZIP TIE
31	MGHDW308	1	#10-32 NYLOCK
32	MGHDW116	1	5/16-18x2-1/2 PT HHCS
33	MGHDW400	3	5/16x5/8 SHAFT COLLAR
34	MGHDW112	1	5/16-18x1-1/2 PT HHCS
35	MGHDW600	1	5/16-24 X 1-1/4 BSCS
36	MGEVO008	1	CONTROL MOUNT PLATE
37	MGUPN038	1	CONTROL HANDLE BLOCK

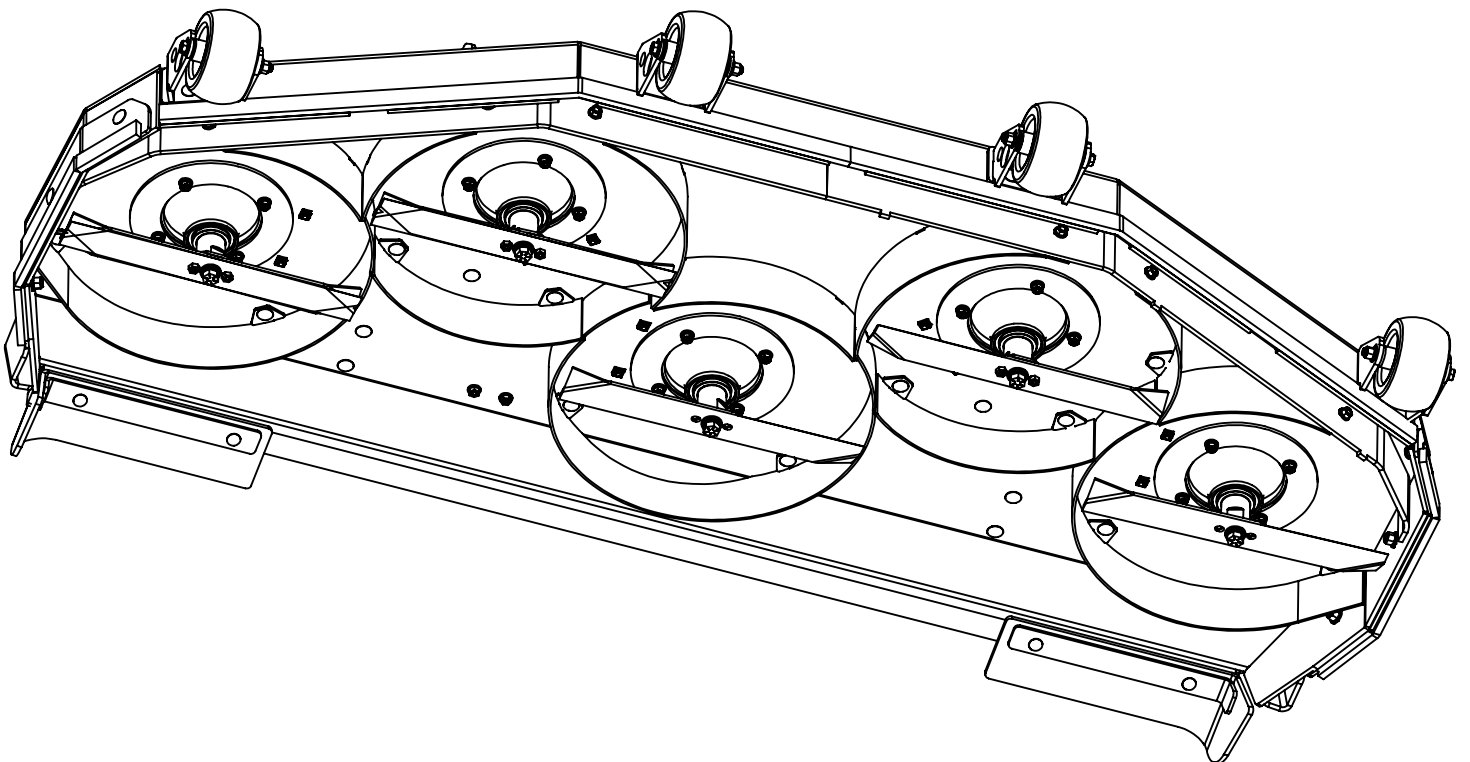
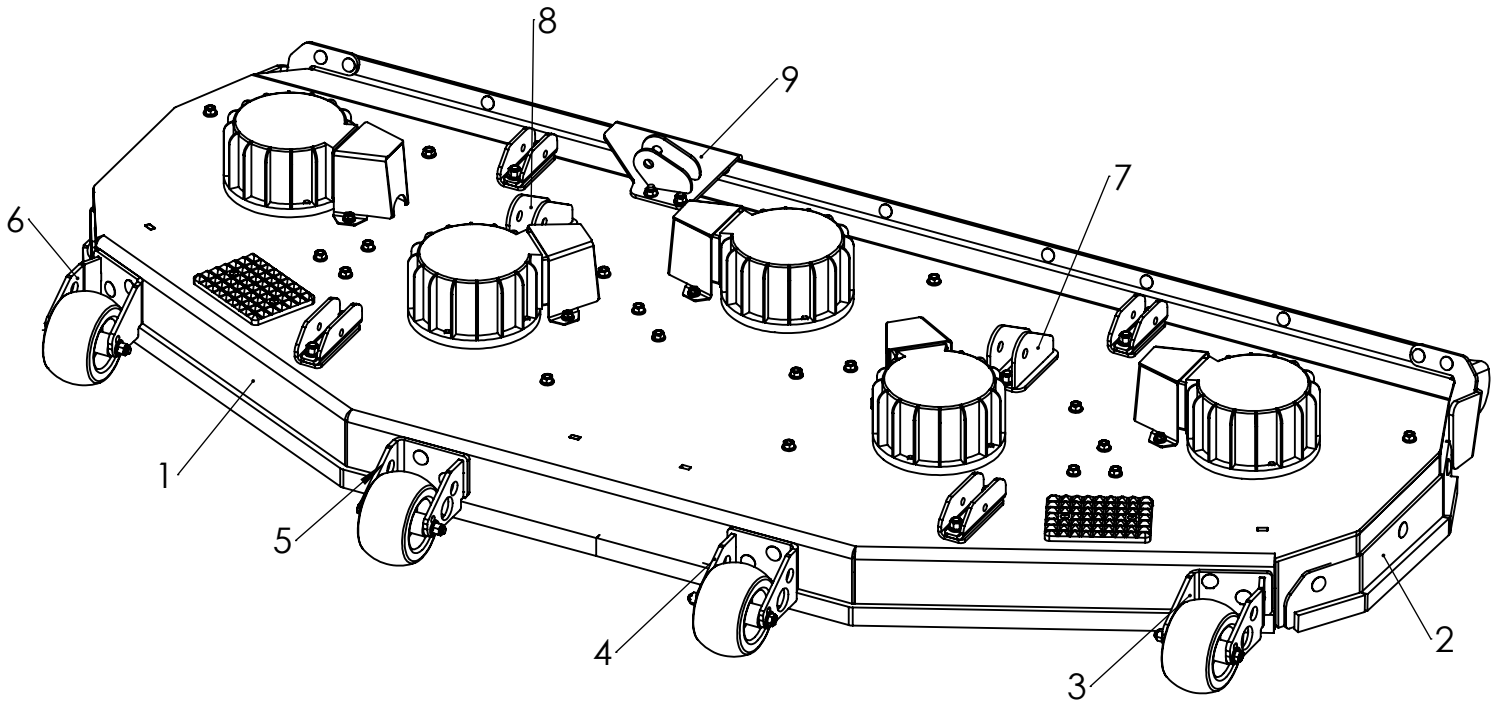
LEFT CONTROL ASSEMBLY

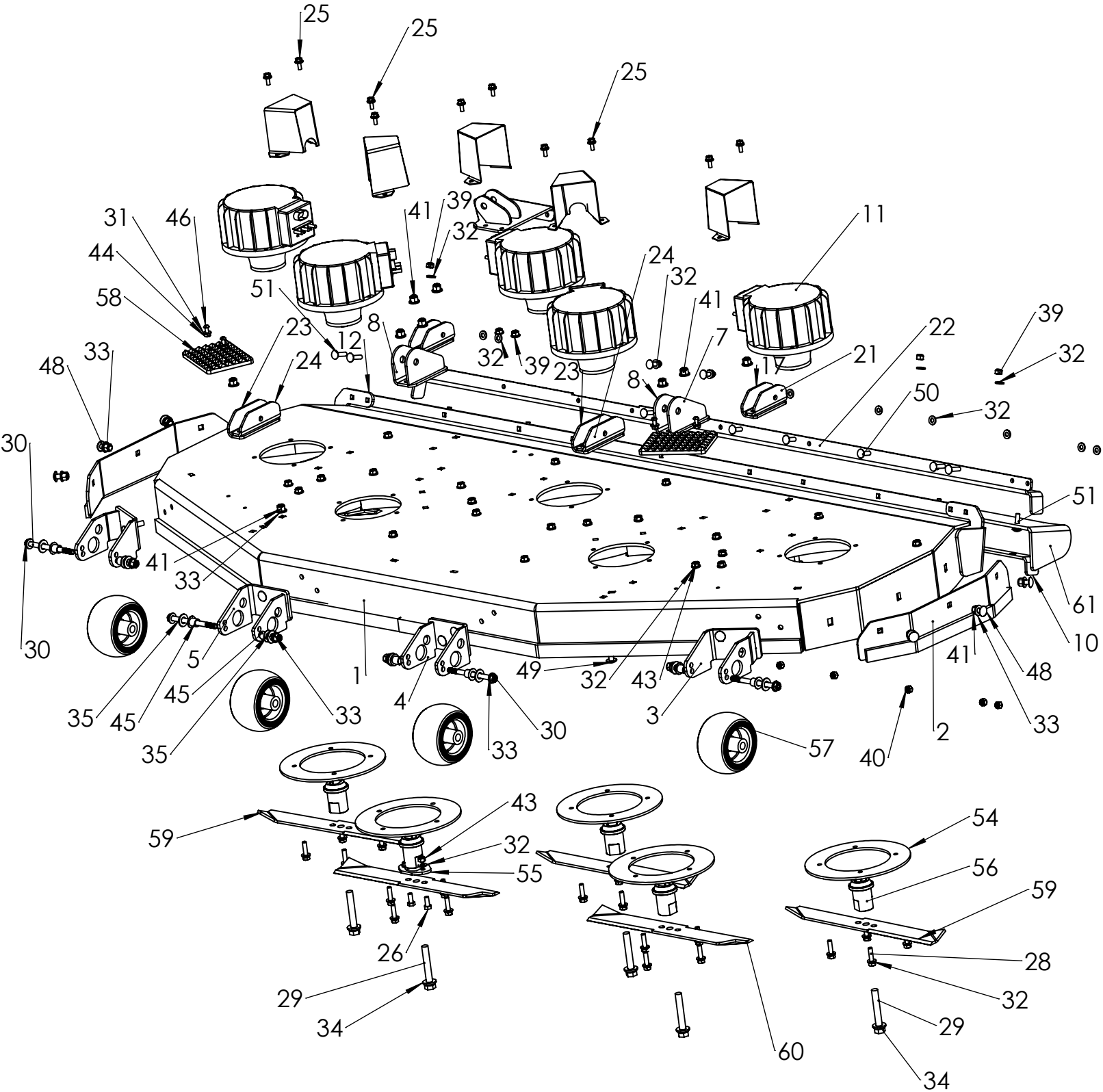


ITEM NO.	PART NUMBER	QTY.	DESCRIPTION
1	MGMUP001	1	RTN MOUNT-LEFT HAND SIDE
2	MGEVO066	1	LEFT HANDLE BASE
3	MGELC019	1	CXR/SK/NXR SAFETY SWITCH GRAY
4	MGELC068	1	RTN-LEFT HAND SIDE



ITEM NO.	PART NUMBER	QTY.	DESCRIPTION
1	MGELC032	1	ANDERSON CONNECTOR-SB120
2	MGELC106	1	RIGHT ANGLE PLUNGER SWITCH-SEALED
3	MGHDW206	2	#8 LOCK WASHER
4	MGHDW213	2	1/4 LOCK WASHER
5	MGHDW218	2	#8 FLAT WASHER
6	MGHDW308	4	#10-32 NYLOCK
7	MGHDW309	2	#8-32x0.93-0.126 CAGE NUT
8	MGHDW315	2	1/4-20x0.093-0.126 CAGE NUT
9	MGHDW502	2	#8-32x3/4 PHP
10	MGHDW503	2	#10-32x1.00 PAN HEAD PHILIPS
11	MGHDW506	2	#10-32x5/8 PAN HEAD PHILIPS
12	MGHDW605	2	1/4-20x3/4 BSCS
13	MGMUP024	1	CHARGING PORT BRACKET
14	MGUPN034	1	CHARGE PORT COVER



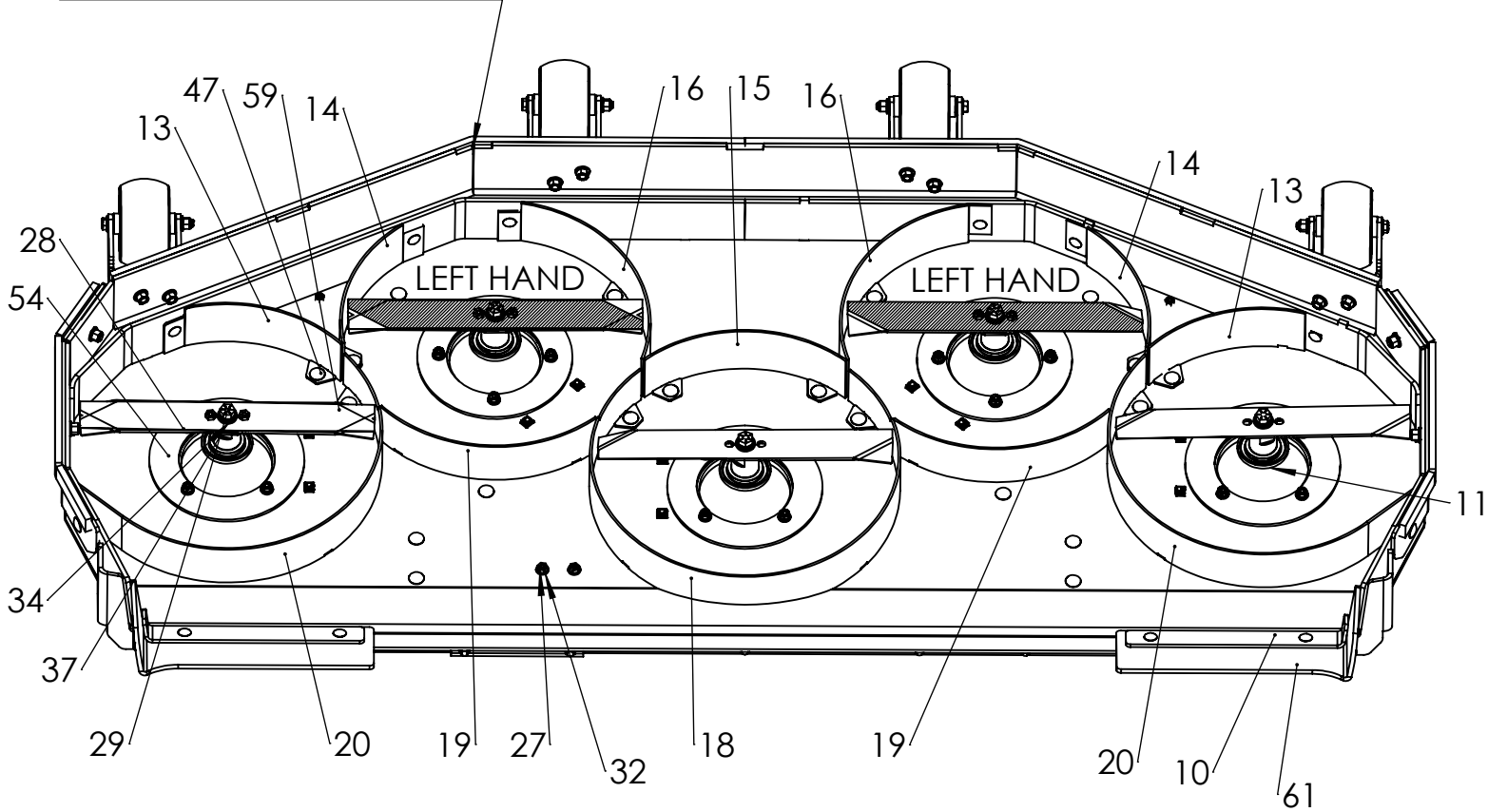


ITEM NO.	PART NUMBER	QTY.	DESCRIPTION
1	AMGEVO74R01	1	MAIN DECK
2	AMGEVO74R02	2	OPP SIDE
3	AMGEVO74R03	2	LEFT ANTI SCALP W
4	AMGEVO74R04	2	MIDDLE LEFT ANTI SCALP W
5	AMGEVO74R05	2	MIDDLE RIGHT ANTI SCALP W
6	AMGEVO74R06	2	RIGHT ANTI SCALP W
7	AMGEVO74R07	2	STABILIZER MOUNT-WELD TAB
8	AMGEVO74R08	2	STABILIZER MOUNT-BASE
9	AMGEVO74R09	1	CROSS STABILIZER MOUNT BASE TO DECK
10	MGCXR60R07	2	RUBBER CLAMP BRACKET
11	MGELC016	5	HG BLADE MOTOR 2KW (SILVER)
12	MGEVO74R03	2	CXR 74RD-GUSSET
13	MGEVO74R05	2	FRONT BAFFLE-SHORT OUTER
14	MGEVO74R06	2	FRONT BAFFLE-SHORT INNER
15	MGEVO74R07	1	FRONT BAFFLE-CENTER
16	MGEVO74R08	2	FRONT BAFFLE-LONG OUTER
17	MGEVO74R09	2	CHAIN MOUNT-BOTTOM
18	MGEVO74R10	1	MULCH BAFFLE-CENTER
19	MGEVO74R11	2	MULCH BAFFLE-INNER
20	MGEVO74R12	2	MULCH BAFFLE-OUTTER
21	MGEVO74R13	2	CHAIN MOUNT-TOP
22	MGEVO74R18	1	REAR DISCHARGE-RUBBER BRACKET
23	MGEVO74R23	2	CHAIN MOUNT-BOTTOM
24	MGEVO74R24	2	CHAIN MOUNT-TOP
25	MGHDW101	10	1/4-20x3/4 FT HHCS
26	MGHDW109	6	5/16-18x3/4 FT HHCS
27	MGHDW110	2	5/16-18x1.00 FT HHCS
28	MGHDW111	20	5/16-18 X 1.25
29	MGHDW150	5	1/2-13x3-1/4 PT HHCS, GR8 YZP
30	MGHDW182	4	3/8-16X4.75
31	MGHDW200	14	1/4 FLAT WASHER
32	MGHDW201	65	5/16 FLAT WASHER
33	MGHDW202	34	3/8 FLAT WASHER
34	MGHDW210	5	1/2 FLAT WASHER
35	MGHDW211	8	1/2x1.00x0.08 NYLON WASHER
37	MGHDW216	5	1/2" LOCK WASHER
39	MGHDW304	12	5/16-18 NYLOCK

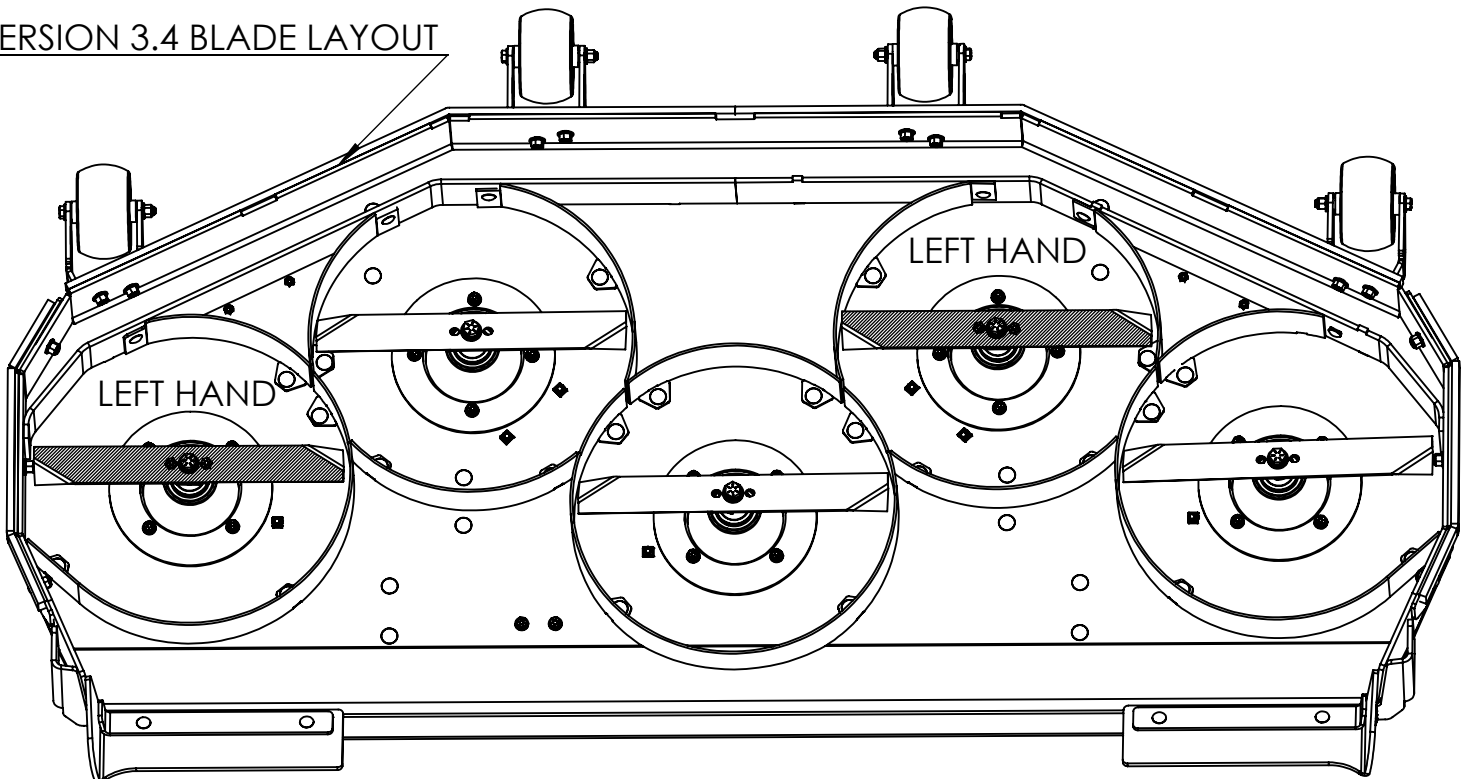
74RD DECK

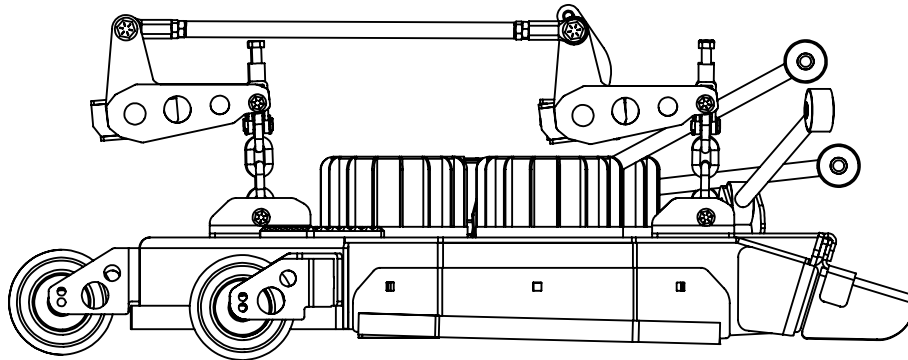
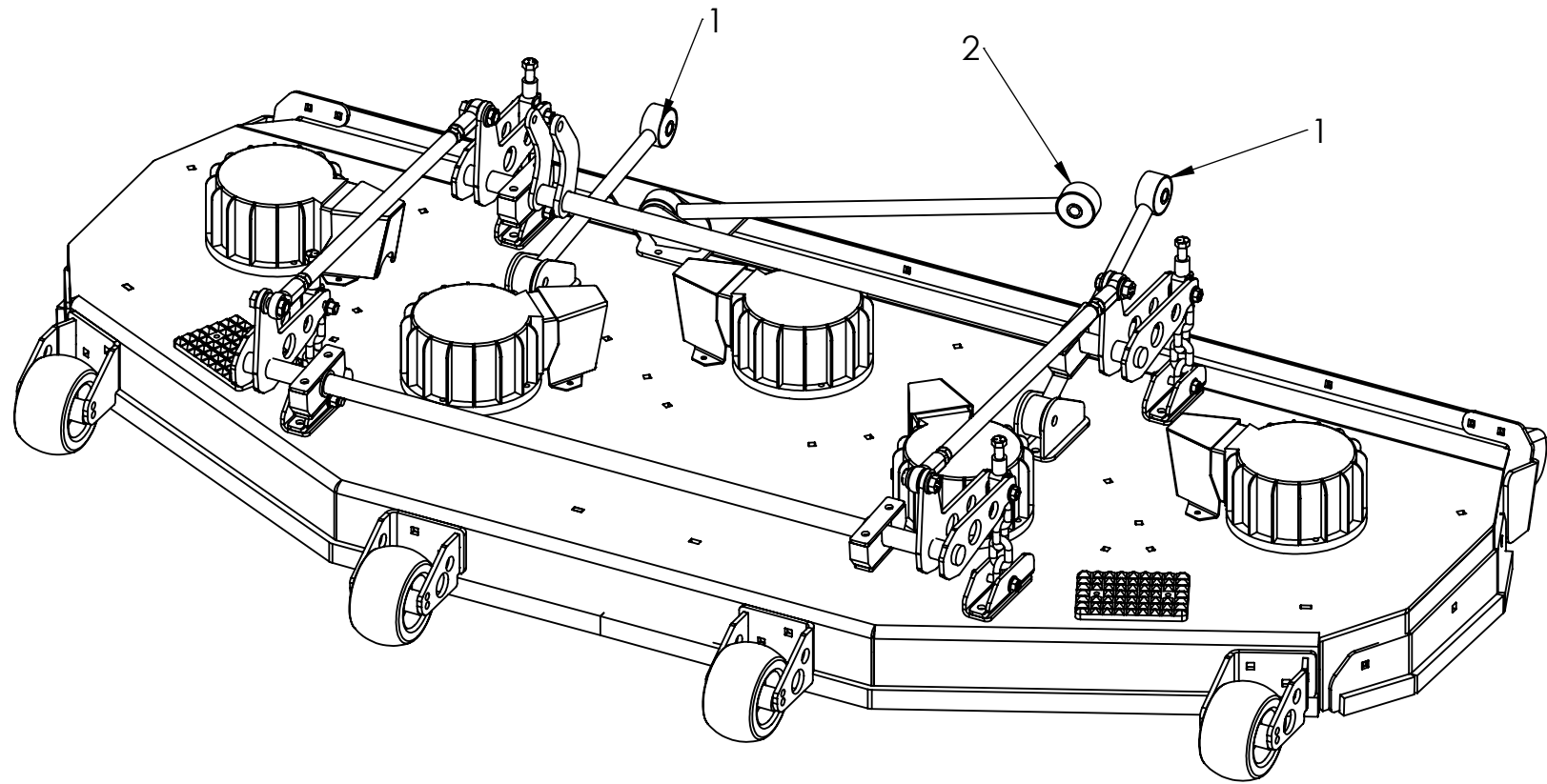
ITEM NO.	PART NUMBER	QTY.	DESCRIPTION
40	MGHDW304-02	5	5/16-18 NL, GR5 ZP
41	MGHDW305	22	3/8-16 NYLOCK
43	MGHDW319	26	3/16-18 TOP LOCK
44	MGHDW325	4	1/4-20 TOP LOCK
45	MGHDW407	8	PLASTIC .5 SPACER
46	MGHDW605	4	1/4-20x3/4 BSCS
47	MGHDW702	22	3/8-16x0.75 CB
48	MGHDW703	18	3/8-16x1.00 CB
49	MGHDW705	8	3/8-16x1.25 CB
50	MGHDW707	5	5/16-18x1.00 CB
51	MGHDW708	10	5/16-18x1-1/4 CB
54	MGMUP021	5	MOTOR SUPPORT RING
55	MGMUP043	3	BLADE LOCKING PLATE
56	MGUPN001	5	BLADE MOTOR ADAPTOR
57	MGUPN023	4	LARGE ANTI-SCALP WHEEL
58	MGUPN092	2	PLASTIC-DECK STEP
59	MGUPN099	4	16.25" RH BLADE 0.187" THK-STK 48/RWB 48
60	MGUPN100	3	16.25" LH BLADE 0.187" THK-STK 48
61	MGUPN154	2	52/60 REAR DISCHARGE

VERSION 3.2 BLADE LAYOUT

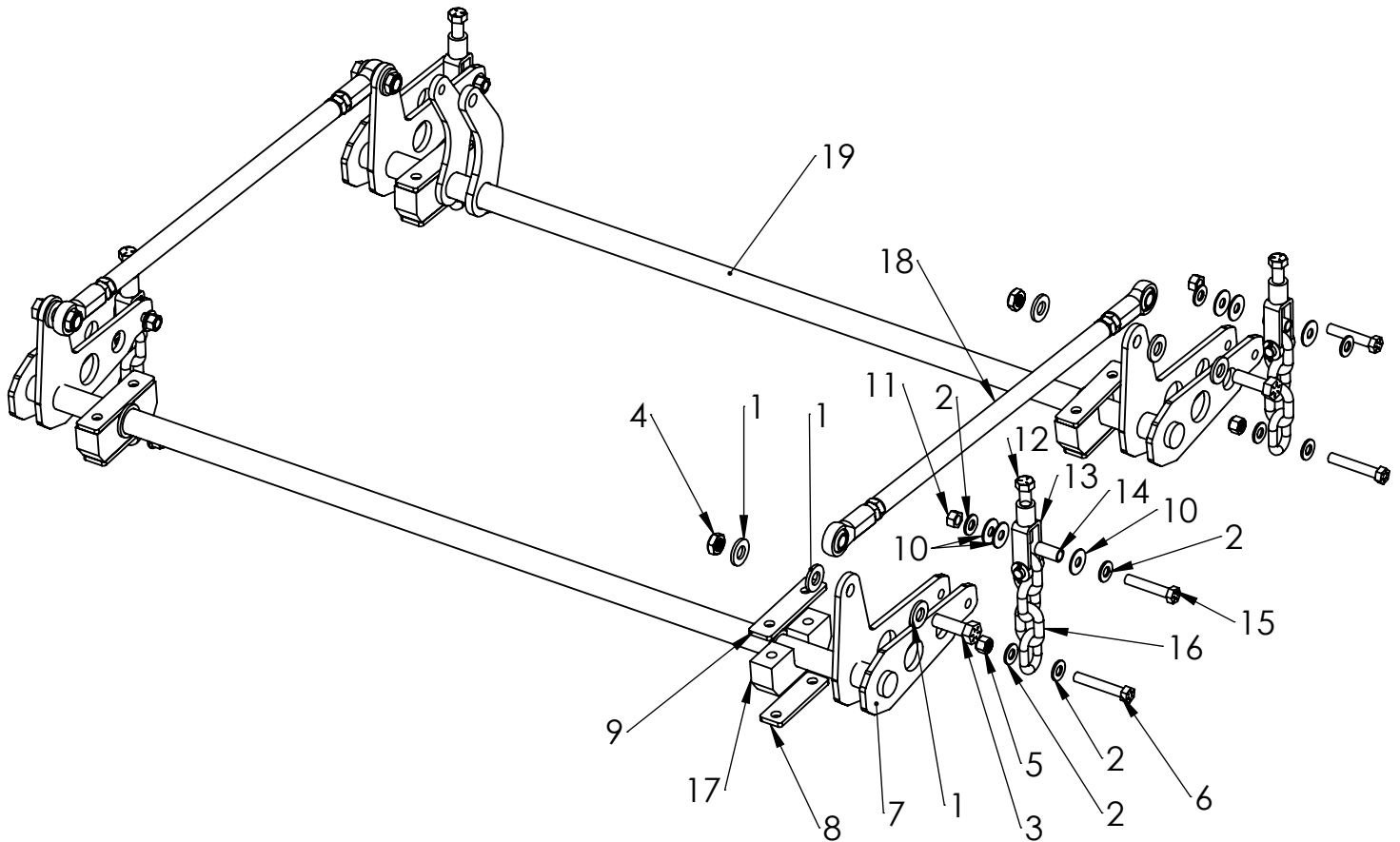


VERSION 3.4 BLADE LAYOUT

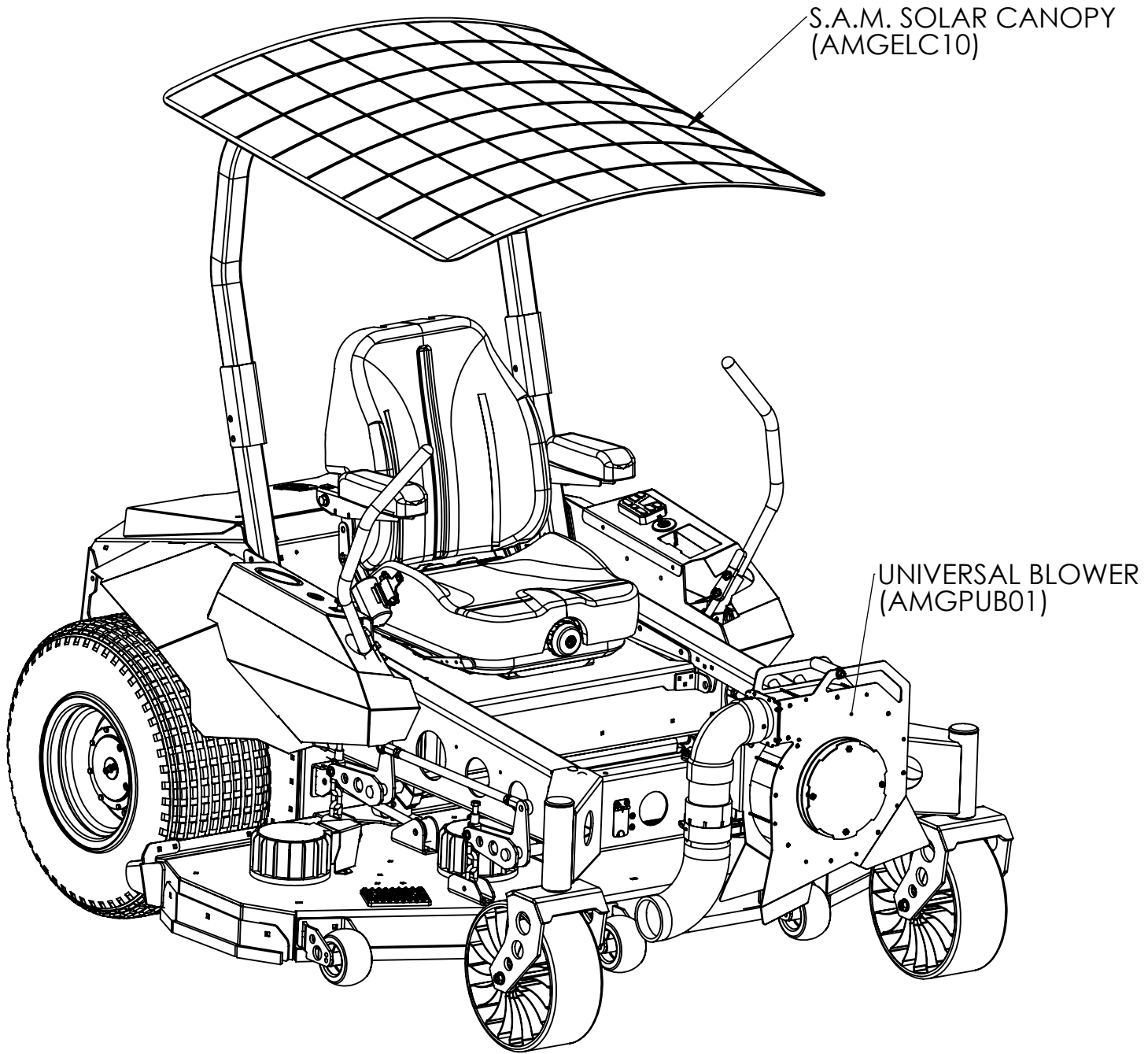


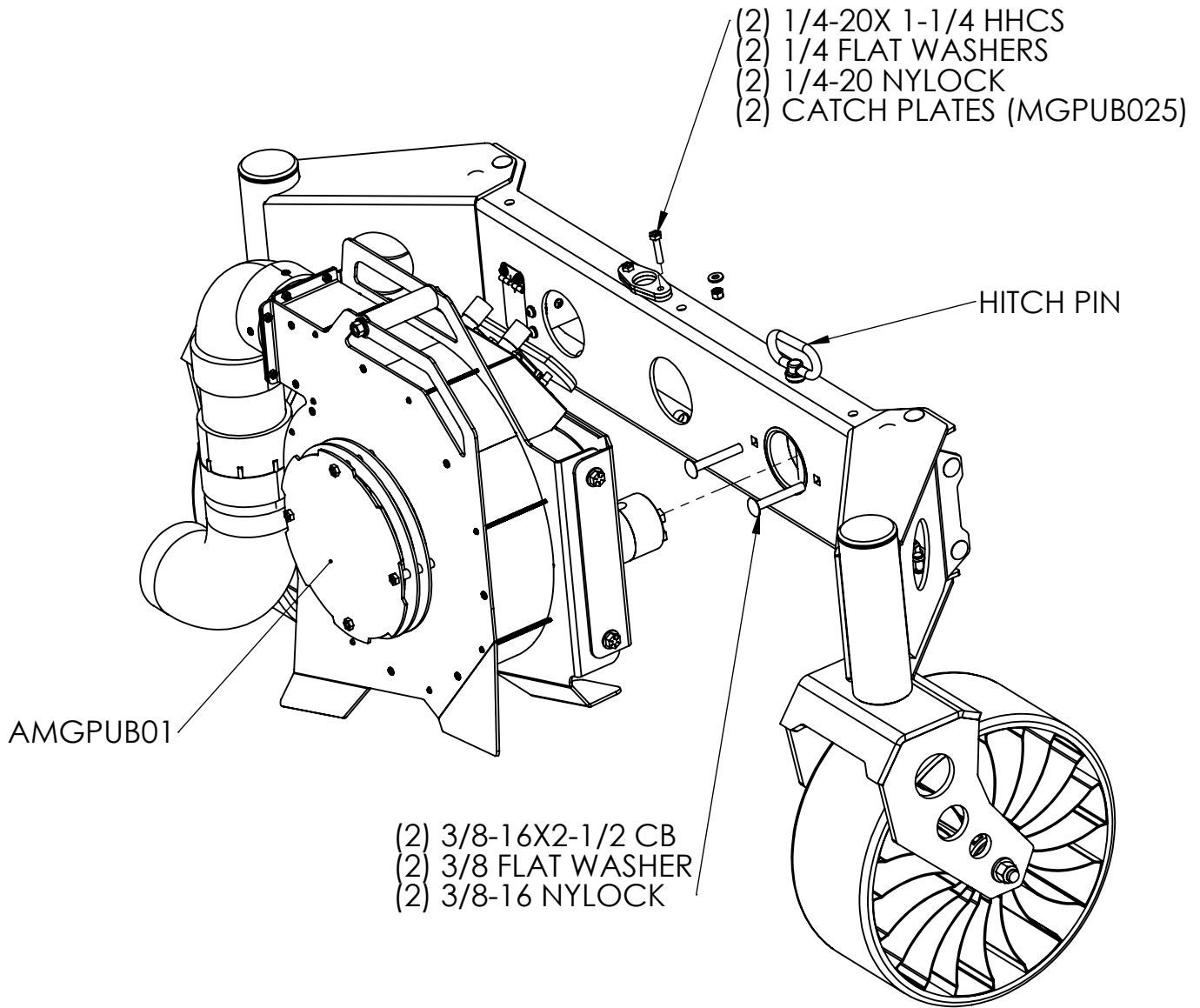


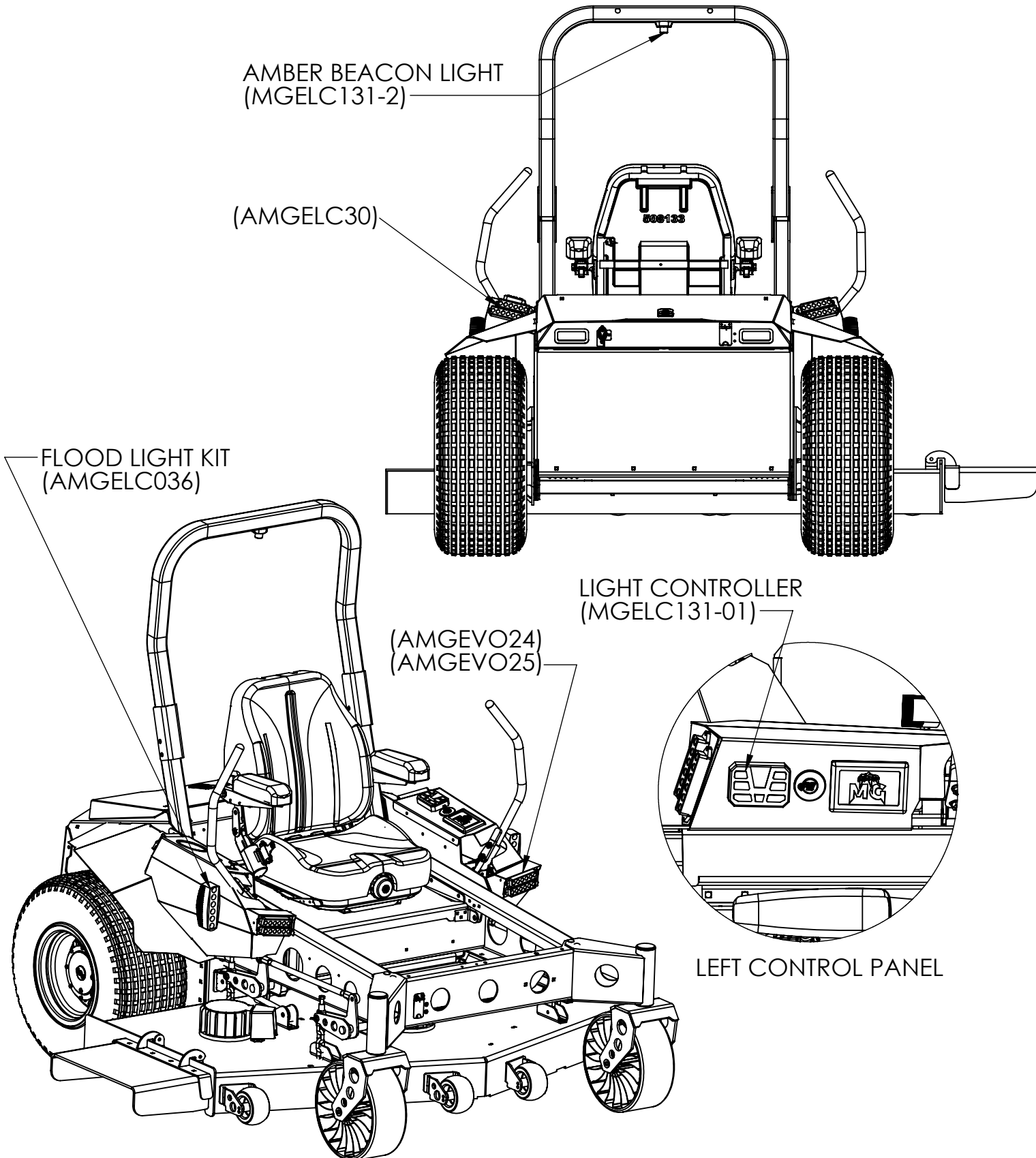
ITEM NO.	PART NUMBER	QTY.	DESCRIPTION
1	MGUPN124	2	STABILIZER ARM-13-5/8
2	MGUPN125	1	STABILIZER ARM-22"

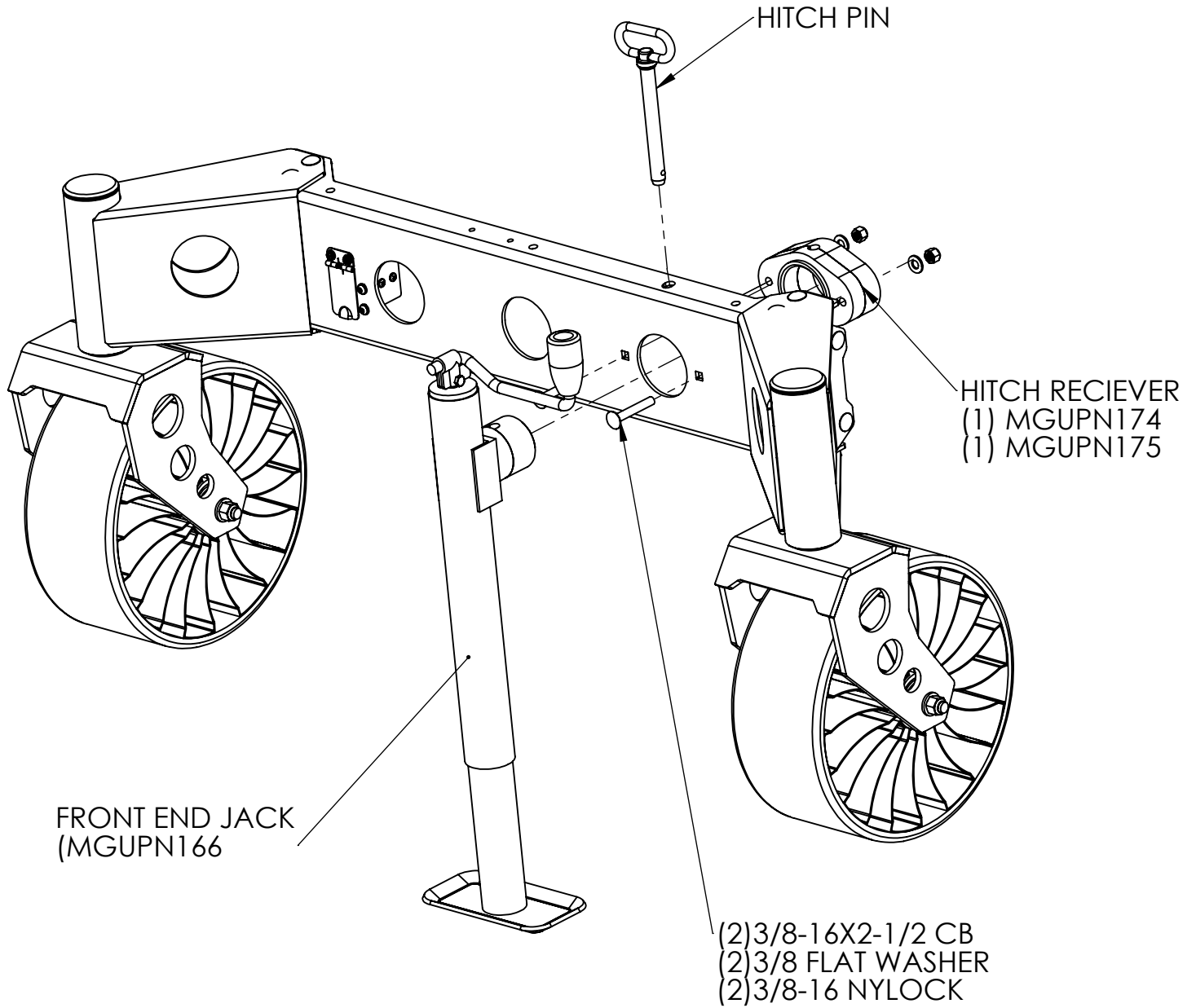


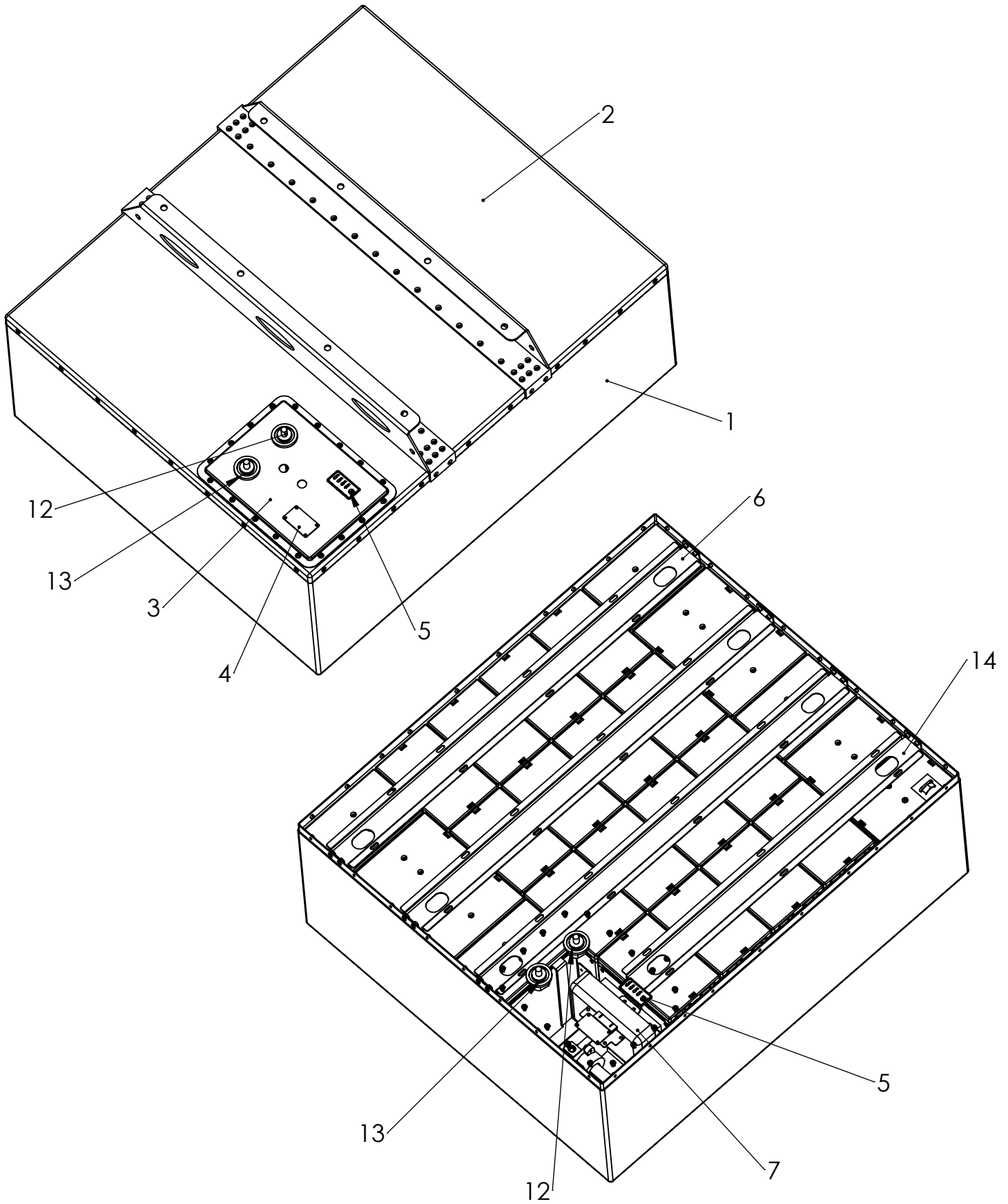
ITEM NO.	PART NUMBER	QTY.	DESCRIPTION
1	MGHDW210	3	1/2 FLAT WASHER
2	MGHDW202	10	3/8 FLAT WASHER
3	MGHDW143	1	1/2-13x1-1/2 FT HHCS, GR8 YZP
4	MGHDW314	1	1/2-13 HALF NYLOCK
5	MGHDW305	1	3/8-16 NYLOCK
6	MGHDW126	1	3/8-16x2-1/4 PT HHCS
7	AMGEVO010	1	FRONT LIFT ARM ASSEMBLY
8	MGMUP031	1	PILLOW BLOCK SPACER-TOP
9	MGEVO035	1	PILLOW BLOCK SPACER-BOTTOM
10	MGHDW203	12	3/8 X 1 OD NYLON WASHER
11	MGHDW305	4	3/8-16 NL YZ
12	MGHDW170	4	7/16-20x2-1/2 FT HHCS
13	MGUPN123	4	7/16"-20 Thread, 2-7/8" Shank Center Length
14	MGHDW403	4	3/8x1/2x1.00 SPACER
15	MGHDW125	4	3/8-16x2.00 PT HHCS, GR8 YZP
16	MGUPN130	4	5/16 GRADE 30-4 LINK
17	MGUPN086	1	PLASTIC PILLOW BLOCK-1" LIFT ARM
18	AMGEVO012	2	EVO STABILIZER BAR
19	AMGEVO011	1	REAR LIFT ARM WELDMENT

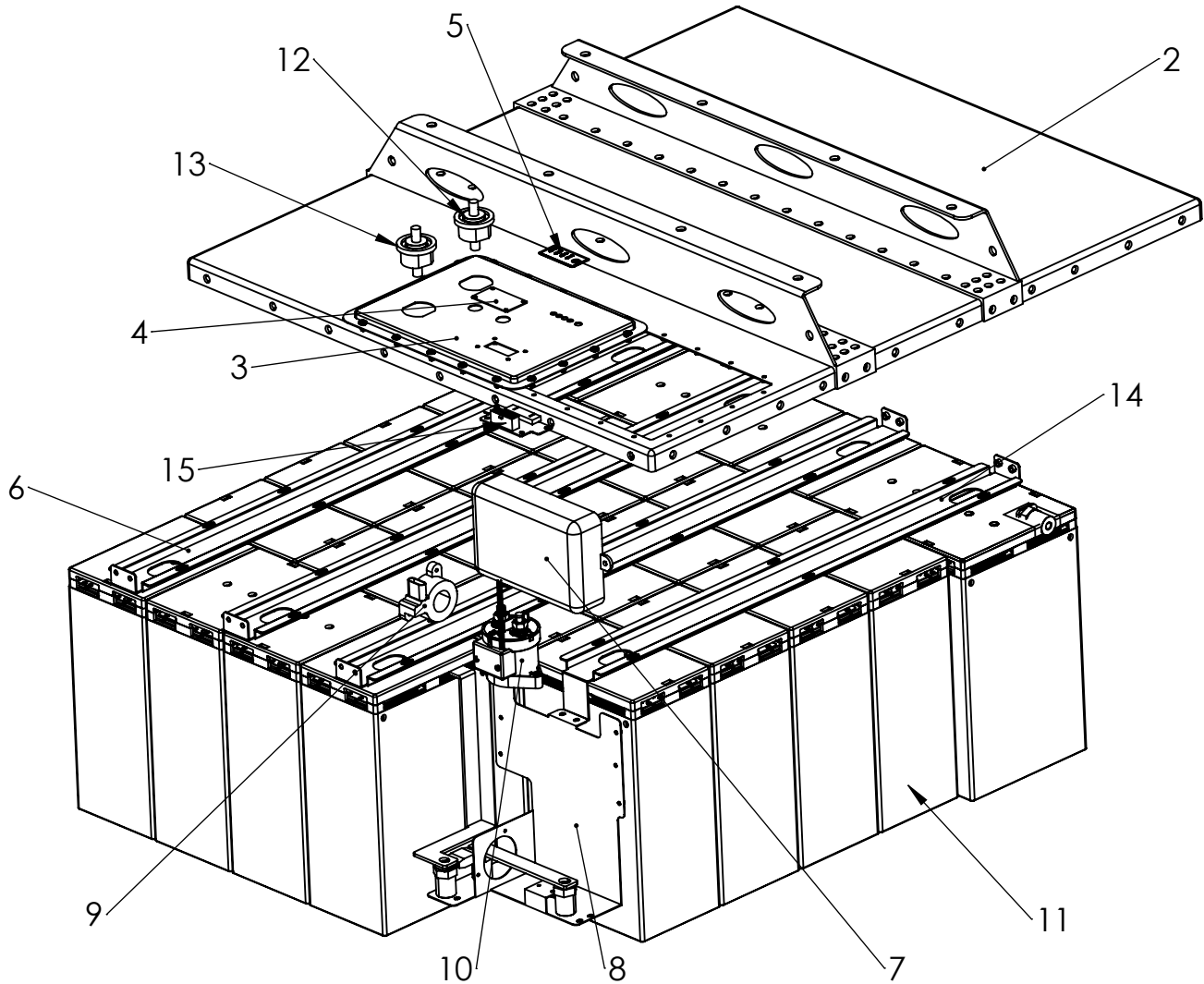












ITEM NO.	PART NUMBER	DESCRIPTION
1	MGBAT001	BATTERY BOX
2	MGBAT002	TOP COVER
3	MGBAT003	ACCESS COVER
4	MGBAT004	TEST PORT COVER
5	MGBAT005	SOC INDICATOR DECAL
6	MGBAT006	EVO BATTERY MODULE HOLD DOWN
7	MGBAT007	EVO BMS
8	MGBAT008	BMS BRACKET
9	MGBAT009	CURRENT SENSOR
10	MGBAT010	CONTACTOR
11	MGBAT011	BATTERY MODULE
12	MGBAT012	POSITIVE FEED THROUGH TERMINAL
13	MGBAT013	NEGATIVE FEED THROUGH TERMINAL
14	MGBAT014	EVO BATTERY MODULE HOLD DOWN SHORT
15	MGBAT015	SOC INDICATOR
16	MGHDW519	ACCESS PORT SCREW (DO NOT LOSE)